

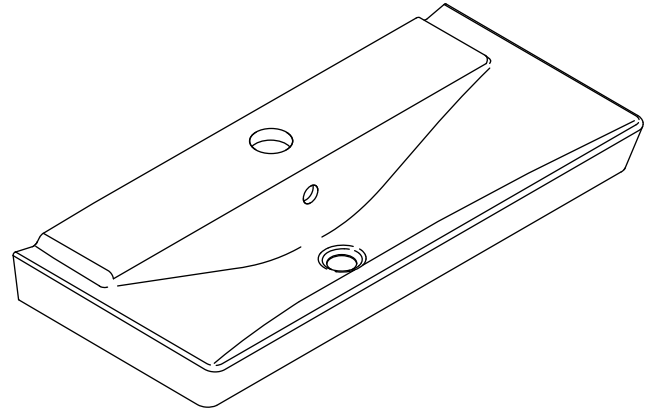
### Features

- Fireclay
- 8" (203 mm) centers (-8) or single-hole (-1)
- With overflow
- Available with shroud or pedestal
- 39-3/8" (1000 mm) x 18-5/16" (465 mm) x 6-5/16" (160 mm)

### Codes/Standards Applicable

- Specified model meets or exceeds the following:
- ASME A112.19.2/CSA B45.1

## BATHROOM SINK K-5026 ALSO K-5148, K-5149



### Colors/Finishes

- 0: White
- Other: Refer to Price Book for additional colors/finishes

### Accessories

- 0: White
- F62: Brilliant Blanc
- F63: Brilliant Ash
- Other: Refer to Price Book for additional colors/finishes

### Specified Model

Model	Description	Colors/Finishes	
K-5026-1	Bathroom sink – single-hole (shown)	<input type="checkbox"/> 0	<input type="checkbox"/> Other
K-5026-8	Bathroom sink – 8" (203 mm) centers	<input type="checkbox"/> 0	<input type="checkbox"/> Other
K-5148-1	Bathroom sink – single-hole with shroud	<input type="checkbox"/> 0	<input type="checkbox"/> Other _____
K-5148-8	Bathroom sink – 8" (203 mm) centers with shroud	<input type="checkbox"/> 0	<input type="checkbox"/> Other _____
K-5149-1	Bathroom sink – single-hole with pedestal	<input type="checkbox"/> 0	<input type="checkbox"/> Other _____
K-5149-8	Bathroom sink – 8" (203 mm) centers with pedestal	<input type="checkbox"/> 0	<input type="checkbox"/> Other _____
<b>Recommended Vanity</b>			
K-2556	Wall-mount vanity – 38-3/16" (970 mm) length	<input type="checkbox"/> F62	<input type="checkbox"/> F63

### Product Specification

The bathroom sink shall be made of fireclay. Product shall be 39-3/8" (1000 mm) in width, 18-5/16" (465 mm) in depth, and 6-5/16" (160 mm) in height. Product shall be for 8" (203 mm) centers (-8) or single-hole (-1). Product shall be with overflow. Product shall be available with a shroud or pedestal. Bathroom sink shall be Kohler Model K-\_\_\_\_-\_\_\_\_-\_\_\_\_.

## Optional Accessories

K-5031	Shroud	<input type="checkbox"/> 0	<input type="checkbox"/> Other _____
K-5032	Pedestal	<input type="checkbox"/> 0	<input type="checkbox"/> Other _____

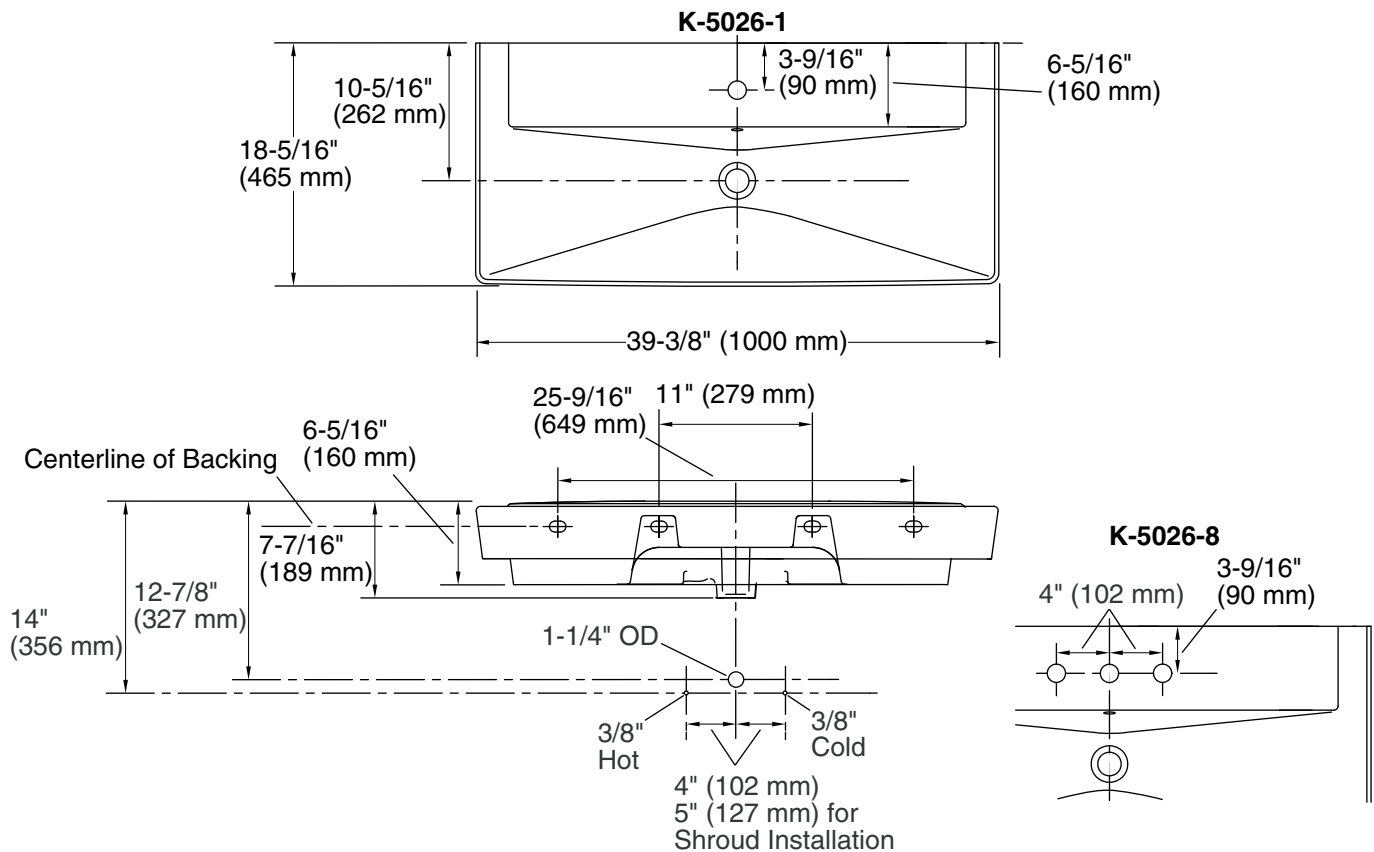
## Technical Information

Fixture*:	
Basin area	39-3/8" (1000 mm) x 12" (305 mm)
Water depth	3" (76 mm)
Drain hole	Ø 1-11/16" (43 mm)
Faucet hole(s)	Ø 1-3/8" (35 mm)
*Approximate measurements for comparison only.	

Components:	
K-5148-1	K-5026-1 bathroom sink, K-5031 shroud
K-5148-8	K-5026-8 bathroom sink, K-5031 shroud
K-5149-1	K-5026-1 bathroom sink, K-5032 pedestal
K-5149-8	K-5026-8 bathroom sink, K-5032 pedestal

## Installation Notes

Install this product according to the installation guide.



## Product Diagram