

Features

- Brass construction
- Touchless™ wall-mounted faucet trim
- 0.5 gallons (1.9 L) per minute flow rate
- Insight adaptive infrared technology

FAUCET TRIM
K-T11839
ALSO K-T11841

ADA

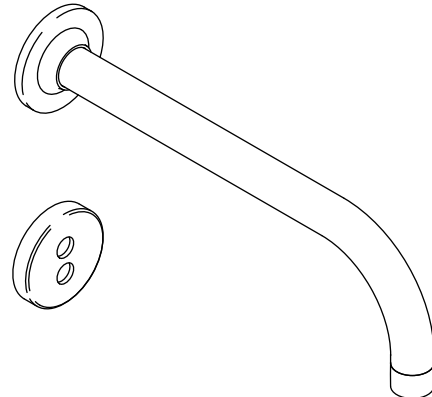
CSA B651

OBC

Codes/Standards Applicable

Specified model meets or exceeds the following:

- ADA
- ICC/ANSI A117.1
- CSA B651
- OBC
- ASME A112.18.1/CSA B125.1
- Energy Policy Act of 1992



Colors/Finishes

- CP: Polished Chrome
- VS: Stainless Steel

Accessories

- NA: None applicable

Specified Model

Model	Description	Colors/Finishes	
K-T11839	Faucet trim – 9" (229 mm) 90° spout	<input type="checkbox"/> CP	<input type="checkbox"/> VS
K-T11841	Faucet trim – 6" (152 mm) 90° spout	<input type="checkbox"/> CP	<input type="checkbox"/> VS

Required Accessories		
K-11830-NA	Wall-mount valve	<input type="checkbox"/> NA

Optional Accessories		
1160593	Small Spray 0.38 gpm (1.44 lpm) – Insert only	<input type="checkbox"/> NA
K-13601	Thermostatic mixing valve	<input type="checkbox"/> NA
_____	Additional flow options are available (refer to the Price Book)	<input type="checkbox"/> NA

Product Specification

The Touchless™ wall-mounted faucet trim shall be made of brass construction. Faucet trim shall have a 0.5 gallons (1.9 L) per minute flow rate. The valve shall feature insight adaptive infrared technology. Faucet trim shall be Kohler Model K-T11839-_____ and K-T11841-_____.

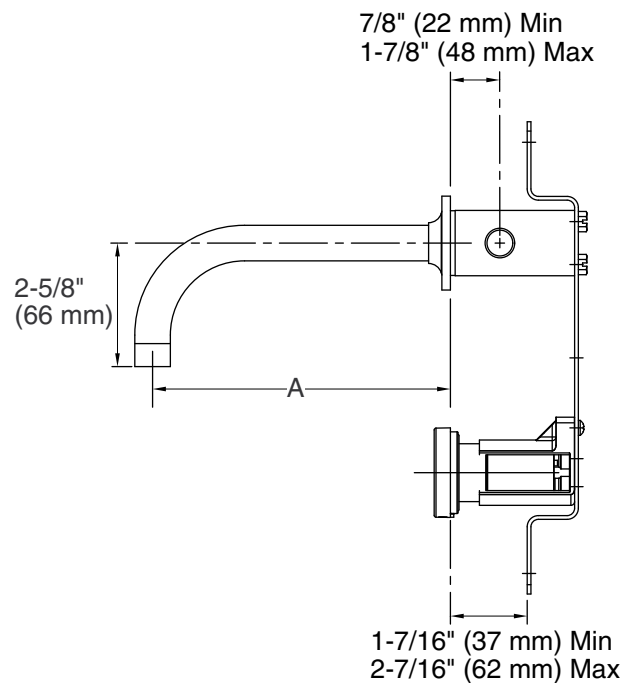
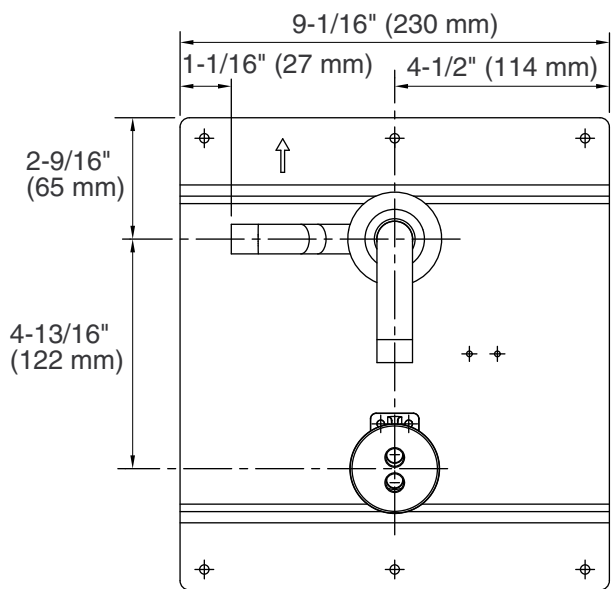
PURIST®

Installation Notes

Install this product according to the installation guide.

ADA, CSA B651, OBC compliant when installed to the specific requirements of these regulations.

Model	Description	A
K-T11839	Faucet Trim 9" (229 mm) 90° Spout	9-1/2" (241 mm)
K-T11841	Faucet Trim 6" (152 mm) 90° Spout	6-1/2" (165 mm)



Product Diagram