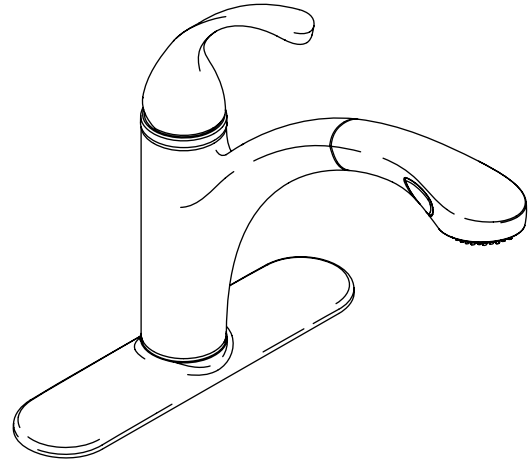


**KITCHEN SINK FAUCET
K-10433**

Features

- Metal construction
- One-piece, self-contained ceramic disc valve allows both volume and temperature control
- Temperature memory allows faucet to be turned on and off at any temperature setting
- High-temperature limit setting for added safety
- 2.2 gallons (8.3 L) per minute maximum flow rate
- Lower flow kits are available
- MasterClean™ spray nozzles prohibit mineral buildup for easy cleaning
- Swing spout with integral pullout spray and hose
- Touch control for stream-to-spray water flow
- 10-1/8" (257 mm) swing spout reach
- Promotion™ technology with nylon hose and ball joint for easy operation (Not available on Retail models)
- Includes parts for both single-hole and three-hole installations



Codes/Standards Applicable

Specified model meets or exceeds the following at date of manufacture:

- ASME A112.18.1/CSA B125.1
- NSF 61
- Energy Policy Act of 1992
- All applicable US Federal and State material regulations

Colors/Finishes

- CP: Polished Chrome
- Other: Refer to Price Book for additional colors/finishes

Accessories

- NA: None applicable

Specified Model

Model	Description	Colors/Finishes	
K-10433	Kitchen sink faucet	<input type="checkbox"/> CP	<input type="checkbox"/> Other _____

Product Specification

Single-control pullout spray kitchen sink faucet shall be of metal construction. Valve shall be a one-piece, self-contained ceramic disc valve and allows both volume and temperature control. Valve shall feature temperature memory, allowing the faucet to be turned on and off at any temperature setting. Valve shall include a high-temperature limit stop for added safety. Faucet shall be have a maximum flow rate of 2.2 gallons (8.3 L) per minute. Faucet shall feature a 10-1/8" (257 mm) swing spout reach. Faucet shall feature Promotion™ technology with nylon hose and ball joint for easy operation (Not available on Retail models). Faucet shall feature MasterClean spray nozzles prohibit mineral build-up. Faucet shall feature a touch control for stream-to-spray water flow and swing spout with integral pullout sprayhead and hose. Faucet shall include parts for both single-hole and three-hole installations. Faucet shall be Kohler Model K-10433-_____.

FORTÉ®

Optional Accessories		
1012715	Deep roughing-in kit	<input type="checkbox"/> NA
1177879	Low flow kit – reduces maximum flow to 1.5 gpm (5.7 L) at 60 psi (4.1 bar)	<input type="checkbox"/> NA
1184741	Low flow kit – reduces maximum flow to 1.8 gpm (6.8 L) at 60 psi (4.1 bar)	<input type="checkbox"/> NA

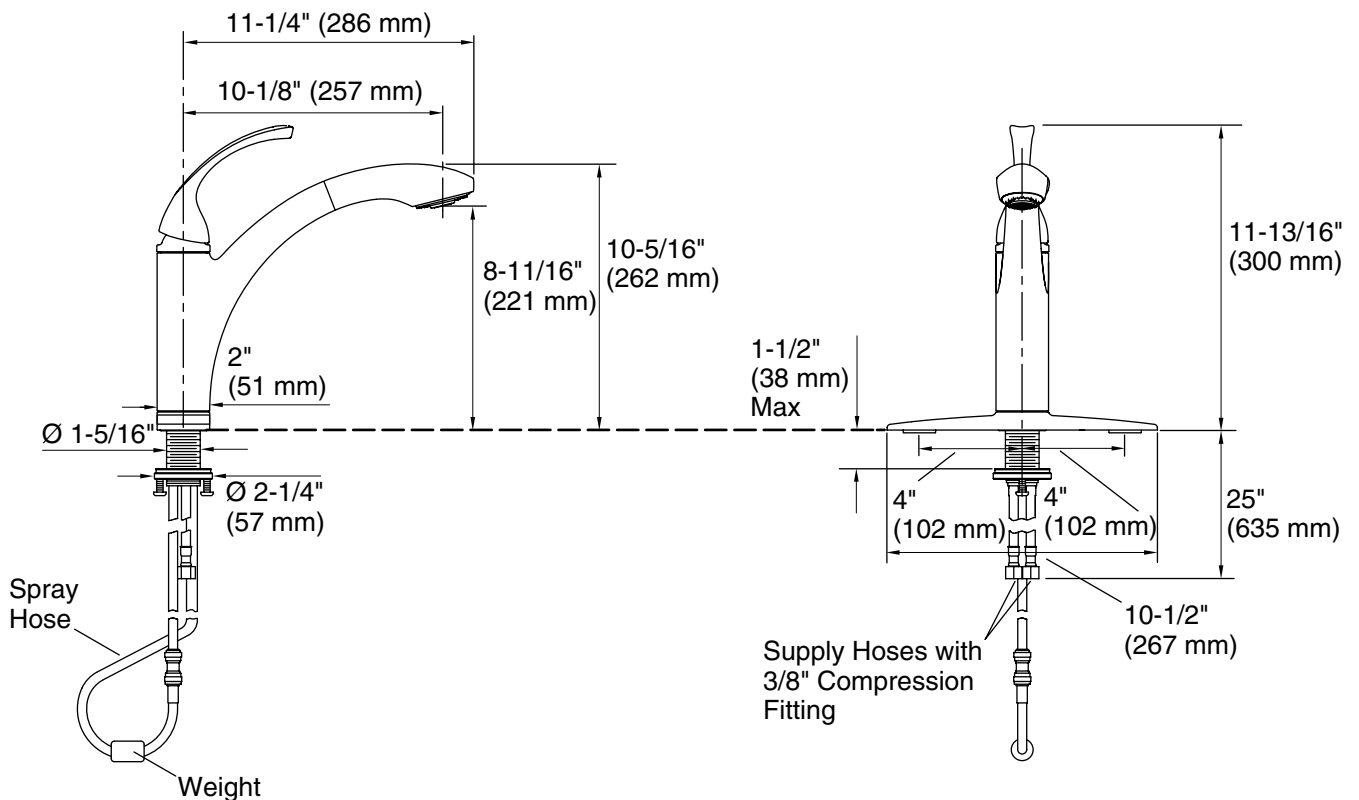
Installation Notes

Install this product according to the installation guide.

Lower flow kits are available.

NOTE: Faucet contains all necessary parts for both single-hole and three-hole installations.

NOTE: The deep roughing-in kit (1012715) is designed for a mounting surface 1-3/8" (35 mm) to 3-3/8" (86 mm) thick. The faucet mounting hole should be between 1-7/16" (37 mm) to 1-1/2" (38 mm) in diameter.



Product Diagram