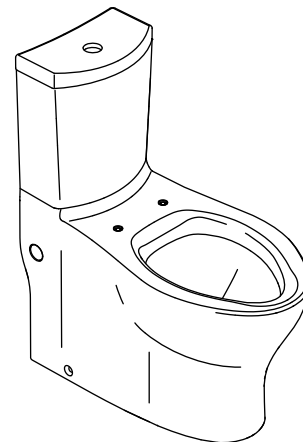




Features

- Vitreous china
- Elongated bowl
- Dual Flush flushing system
- Includes polished chrome push buttons
- Two-bolt installation system
- Supply line included
- 12" (305 mm) rough-in
- 1.6 gpf (6 lpf) or 1.0 gpf (3.8 lpf)
- 2" (51 mm) glazed trapway
- 4-1/2" (114 mm) x 5-3/4" (146 mm) water area
- 28-5/8" (727 mm) x 14-3/16" (360 mm) x 32-1/2" (826 mm)



Codes/Standards Applicable

Specified model meets or exceeds the following:

- ASME A112.19.2/CSA B45.1
- ASME A112.19.14
- EPA WaterSense®

Colors/Finishes

- 0: White
- Other: Refer to Price Book for additional colors/finishes

Accessories

- 0: White
- CP: Polished Chrome
- Other: Refer to Price Book for additional colors/finishes

Specified Model

Model	Description	Colors/Finishes	
K-3723	Dual flush toilet – center push-button	<input type="checkbox"/> 0	<input type="checkbox"/> Other_____

Recommended Accessories			
K-4664	Brevia™ elongated toilet seat	<input type="checkbox"/> 0	<input type="checkbox"/> Other_____
K-4660	Lustra™ open-front toilet seat	<input type="checkbox"/> 0	<input type="checkbox"/> Other_____
K-7659	3/8" NPT angle stop OR	<input type="checkbox"/> CP	<input type="checkbox"/> Other_____
K-7660	1/2" NPT angle stop OR	<input type="checkbox"/> CP	<input type="checkbox"/> Other_____

Product Specification

Elongated bowl toilet shall be made of vitreous china. Toilet shall be 28-5/8" (727 mm) in length, 14-3/16" (360 mm) in width, and 32-1/2" (826 mm) in height with a 4-1/2" (114 mm) x 5-3/4" (146 mm) water area. Toilet shall be two-bolt installation and 12" (305 mm) rough-in. Toilet shall have 1.6 gpf (6 lpf) or 1.0 gpf (3.8 lpf) flow rate with Dual Flush flushing system. Toilet shall have 2" (51 mm) glazed trapway. Toilet shall include polished chrome push buttons and a supply line. Toilet shall be Kohler Model K-3723-____.

PERSUADE[®] CURV

Recommended Accessories (cont.)

K-7668	3/8" NPT straight stop OR	<input type="checkbox"/> CP	<input type="checkbox"/> Other_____
K-7678	1/2" NPT straight stop	<input type="checkbox"/> CP	<input type="checkbox"/> Other_____

Technical Information

Fixture:	
Configuration	Two-piece, elongated
Water per flush	1.6 gpf (6 lpf) or 1.0 gpf (3.8 lpf)
Passageway	2" (51 mm)
Water area	4-1/2" (114 mm) x 5-3/4" (146 mm)
Water depth from rim	8-1/2" (216 mm)
Seat post hole centers	5-1/2" (140 mm)

Included components:	
Bowl	K-4353
Tank	K-4441
Tank cover	1115480
Push-buttons	1072961

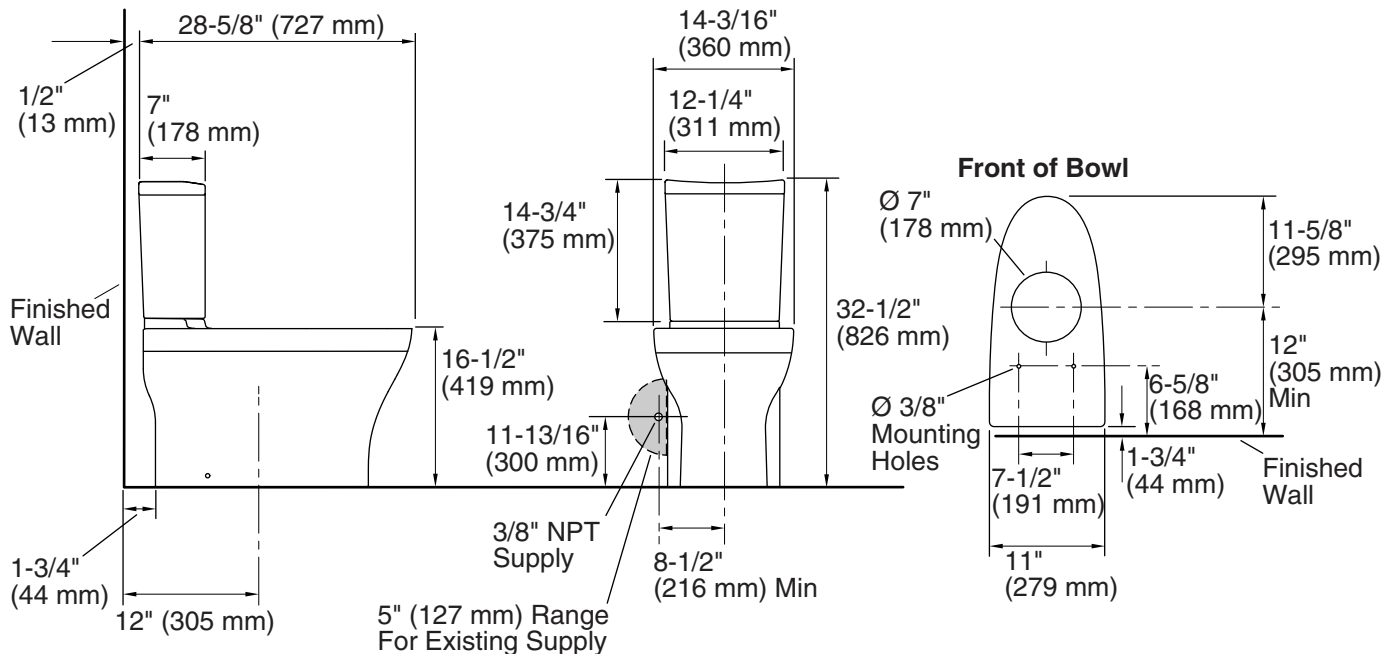
Installation Notes

IMPORTANT! The rough-in must be 12" (305 mm) or more from the base of the wall or baseboard. Install or relocate the supply and outlet as necessary to conform to rough-in dimensions.

If this toilet is installed to new construction, install a new supply stop following the dimensions in the diagram.

In installations with the supply stop installed, the existing supply stop may need to be relocated if it is less than 8-1/2" (216 mm) from the centerline of the toilet. Dry fit the toilet to confirm if the supply stop needs to be relocated.

The supplied hose will extend roughly 6" (152 mm) from the toilet. If the supplied hose does not reach the supply stop, a longer supply hose may be used.



Product Diagram