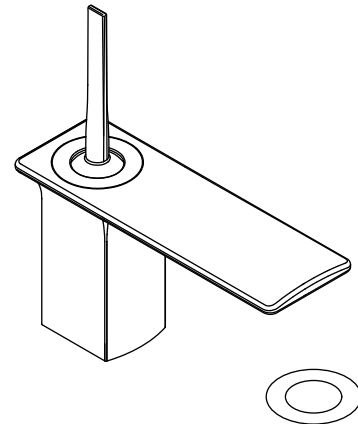


Features

- Brass construction
- One-piece, self-contained ceramic disc joystick valve actuation allows both volume and temperature control
- Single-hole mounting
- Single-handle
- Flexible connections for easy installation
- 5-3/8" (137 mm) spout reach
- Stationary spout
- Touch-activated drain with tailpiece and overflow
- 1.5 gpm (5.7 lpm) maximum flow rate

**SINGLE-HANDLE BATHROOM SINK FAUCET
K-14760**

ADA **CSA B651** **OBC**



Codes/Standards Applicable

Specified model meets or exceeds the following at date of manufacture:

- ADA
- ICC/ANSI A117.1
- CSA B651
- OBC
- ASME A112.18.1/CSA B125.1
- NSF 61
- Energy Policy Act of 2005
- All applicable US Federal and State material regulations

Colors/Finishes

- CP: Polished Chrome
- Other: Refer to Price Book for additional colors/finishes

Specified Model

Model	Description	Colors/Finishes	
K-14760-4	Single-handle bathroom sink faucet	<input type="checkbox"/> CP	<input type="checkbox"/> Other ____

Product Specification

The single-handle bathroom sink faucet shall be made of brass construction. Product shall have a maximum flow rate of 1.5 gpm (5.7 lpm) per minute. Product shall feature a one-piece, self-contained ceramic disc joystick valve actuation which allows both volume and temperature control. Product shall feature flexible connections for easy installation, 5-3/8" (137 mm) spout reach, stationary spout, and touch-activated drain with tailpiece and overflow. Product shall be for single-hole installation. Bathroom sink faucet shall be Kohler Model K-14760-4-_____.

STANCE™

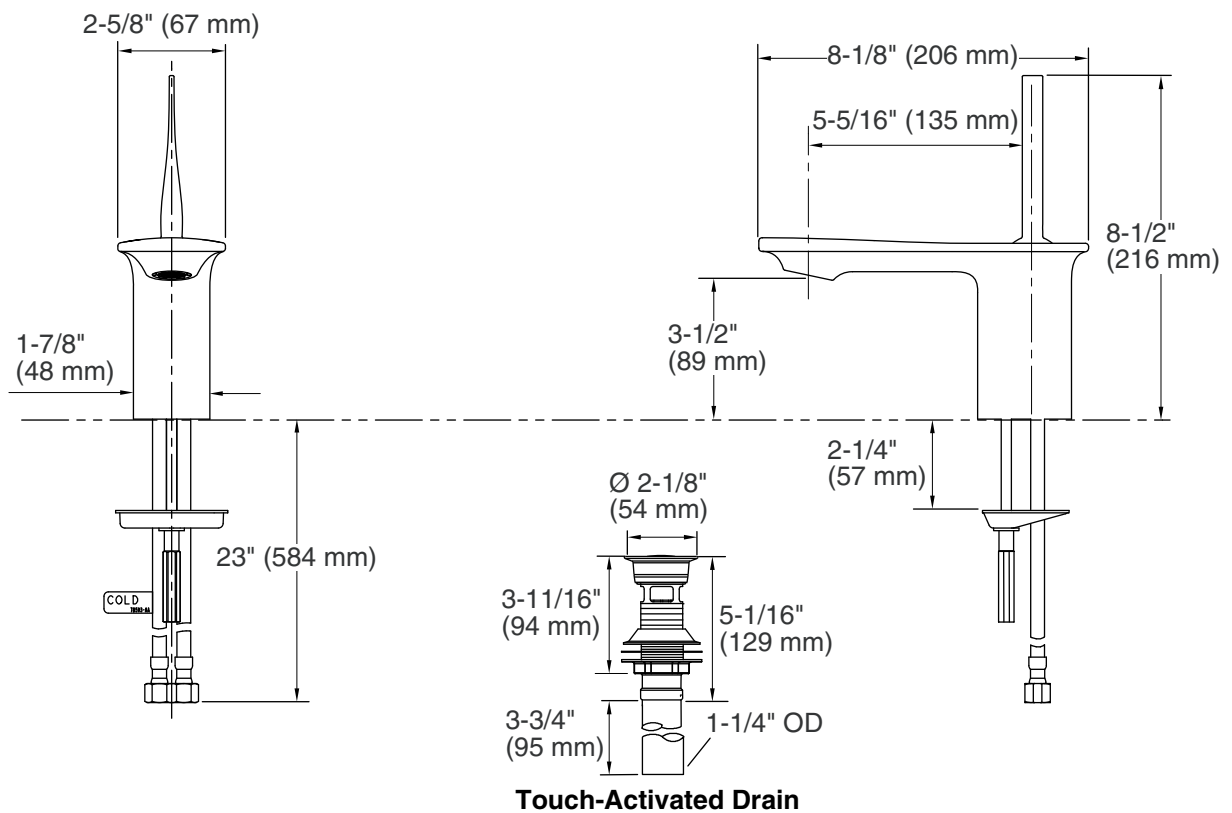
Technical Information

Included components:	
Touch-activated drain with tailpiece	1035625

Installation Notes

Install this product according to the installation guide.

ADA, CSA B651, OBC compliant when installed to the specific requirements of these regulations.



Product Diagram