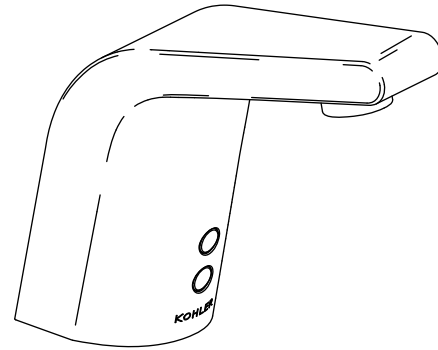


Features

- Brass construction
- Single-hole mounting
- Above-counter valve for easy installation and maintenance
- Vandal-resistant aerator
- 24" (610 mm) flexible supply hoses for easy installation
- 5-3/4" (146 mm) spout reach
- Available with or without mixer
- Includes 30-year Hybrid Energy Cell
- Less drain
- 0.5 gallons (1.9 L) per minute flow rate

ELECTRONIC FAUCET K-7514 ALSO K-7515

ADA CSA B651 OBC



Codes/Standards Applicable

Specified model meets or exceeds the following at date of manufacture:

- ADA
- ICC/ANSI A117.1
- CSA B651
- OBC
- ASME A112.18.1/CSA B125.1
- Energy Policy Act of 2005

Colors/Finishes

- CP: Polished Chrome
- VS: Stainless Steel

Accessories

- CP: Polished Chrome
- VS: Stainless Steel
- NA: None applicable
- Other: Refer to Price Book for additional colors/finishes

Specified Model

Model	Description	Colors/Finishes	
K-7514	Electronic faucet – without mixer	<input type="checkbox"/> CP	<input type="checkbox"/> VS
K-7515	Electronic faucet – with mixer	<input type="checkbox"/> CP	<input type="checkbox"/> VS

Optional Accessories					
K-7129-A	Grid drain with overflow	<input type="checkbox"/> CP			<input type="checkbox"/> Other _____
K-7129	Grid drain without overflow	<input type="checkbox"/> CP			<input type="checkbox"/> Other _____
K-13478-A	4" (102 mm) escutcheon plate – round	<input type="checkbox"/> CP	<input type="checkbox"/> VS		
K-13479-A	8" (203 mm) escutcheon plate – round	<input type="checkbox"/> CP	<input type="checkbox"/> VS		
K-13601	Thermostatic mixing valve			<input type="checkbox"/> NA	

Product Specification

The electronic faucet shall be made of brass construction. Product shall have 0.5 gallons (1.9 L) per minute flow rate. Product shall feature a 5-3/4" (146 mm) spout reach, and 24" (610 mm) flexible supply hoses for easy installation. Product shall feature an above-counter valve for easy installation and maintenance. Product shall include a 30-year Hybrid Energy Cell. Product shall be for single-hole mounting. Product shall be available with or without mixer. Product shall be less drain. Faucet shall be Kohler Model K-____-____.



Optional Accessories (cont.)		
1160595	Medium Spray 0.35 gpm (1.32 lpm) – Insert only	<input type="checkbox"/> NA
_____	Additional flow options are available (refer to the Price Book)	<input type="checkbox"/> NA

Installation Notes

Install this product according to the installation guide.

A 1-1/4" (32 mm) minimum to 1-1/2" (38 mm) maximum diameter mounting hole is required.

The minimum distance between the back of the faucet spout and the wall must be 1-3/4" (44 mm). This will allow proper clearance for setscrew access.

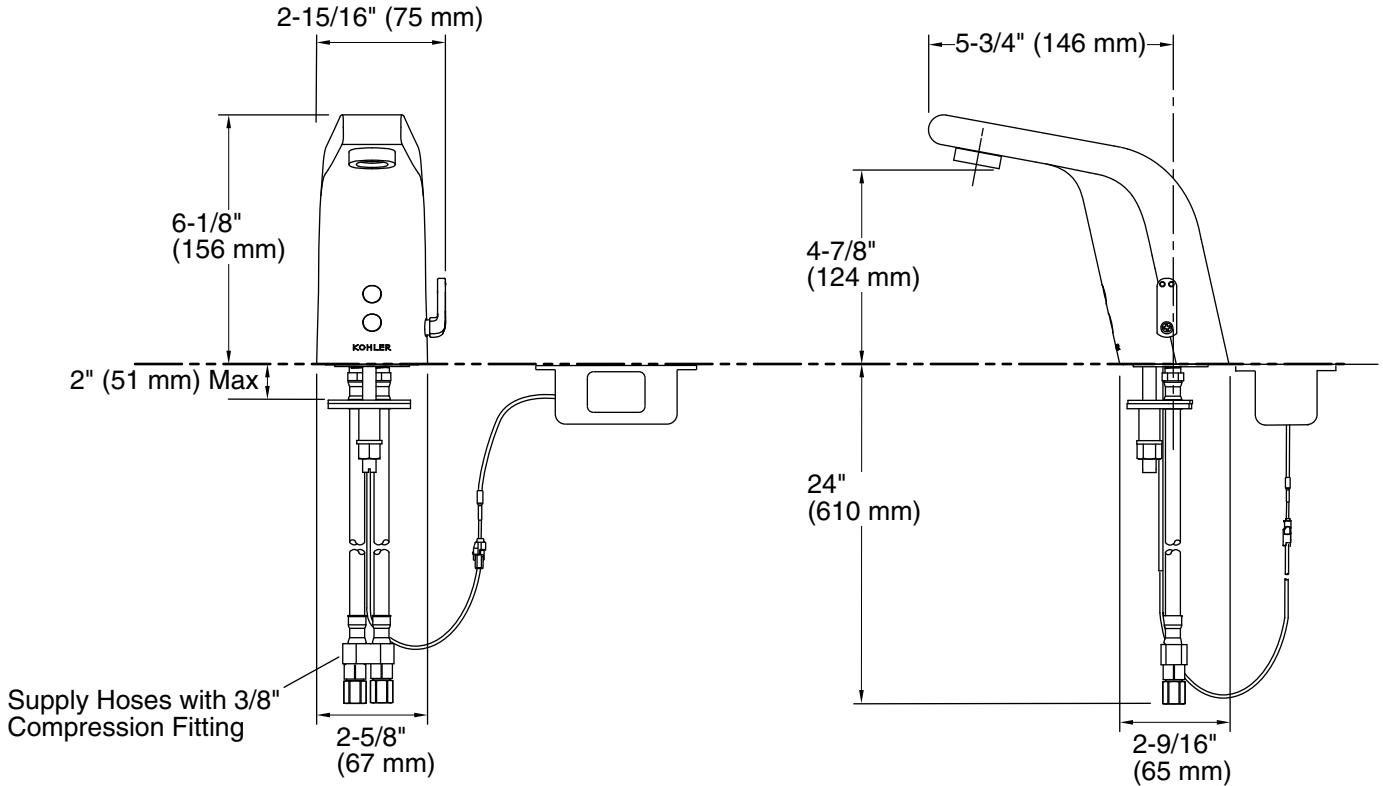
The maximum distance between the bathroom sink basin edge to the base of the faucet spout must be 1-3/4" (44 mm).

The maximum height of the lip basin should be 3/4" (19 mm).

Product includes 0.5 gpm (1.9 lpm) rosebud spray aerator. Other aerator styles are available. Please contact your distributor or see Kohler.com.

This product requires a 30-year Hybrid Energy Cell (included).

ADA, ICC/ANSI A117.1, CSA B651, OBC compliant when installed to the specific requirements of these regulations.



Product Diagram