

**WALL-MOUNT LAVATORY TRIM
K-T6277**

Features

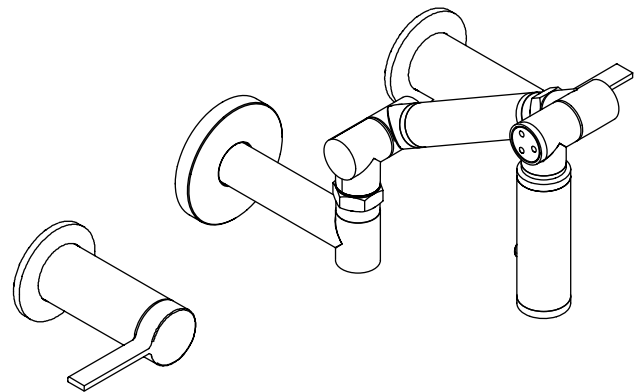
- Metal and carbon fiber construction
- Articulating spout
- Dual control wall-mounted
- ADA compliant lever handle
- 1.5 gpm (5.7 lpm) maximum flow rate



Codes/Standards Applicable

Specified model meets or exceeds the following at date of manufacture:

- ADA
- ICC/ANSI A117.1
- ASME A112.18.1/CSA B125.1
- NSF 61
- Energy Policy Act of 1992
- All applicable US Federal and State material regulations
- EPA WaterSense[®]



Colors/Finishes

- CP: Polished Chrome
- Other: Refer to Price Book for additional colors/finishes

Accessories

- CP: Polished Chrome
- NA: None applicable
- Other: Refer to Price Book for additional colors/finishes

Specified Model

Model	Description	Colors/Finishes	
K-T6277-C11	Wall-mount lavatory trim with silver tube	<input type="checkbox"/> CP	<input type="checkbox"/> Other_____
K-T6277-C12	Wall-mount lavatory trim with black tube	<input type="checkbox"/> CP	<input type="checkbox"/> Other_____
Required Accessories			
K-410-K	Wall-mount lavatory valve		<input type="checkbox"/> NA
Optional Accessories			
1153934-_____	Deep roughing-in kit	<input type="checkbox"/> CP	<input type="checkbox"/> Other_____

Product Specification

The wall-mount lavatory trim shall be of metal and carbon fiber construction. Product shall have a maximum flow rate of 1.5 gallons (5.7 liters) per minute. Product shall be dual control wall-mounted. Product shall feature ADA compliant lever handles and an articulating spout. Faucet shall be Kohler Model K-T6277-_____ -_____ with required K-410-K-NA valve.

KARBON®

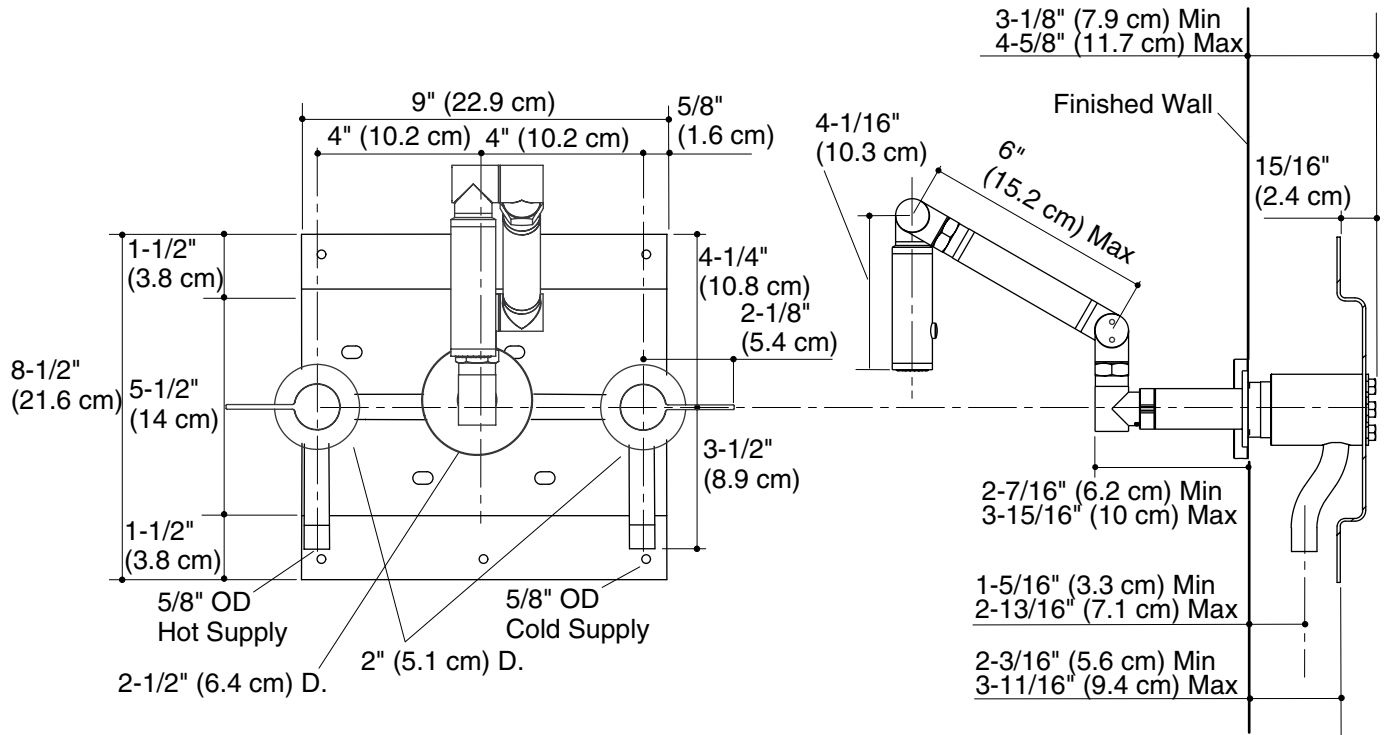
Optional Accessories

K-7114	Pop-up lavatory drain	<input type="checkbox"/> CP	<input type="checkbox"/> Other_____
K-7124	Touch-activated lavatory drain	<input type="checkbox"/> CP	<input type="checkbox"/> Other_____
K-7127	Lavatory drain with non-removable metal stopper	<input type="checkbox"/> CP	<input type="checkbox"/> Other_____
K-7129	Lavatory grid drain	<input type="checkbox"/> CP	<input type="checkbox"/> Other_____

Installation Notes

Install this product according to the installation guide.

Three 1-1/2" (3.8 cm) diameter holes are required for the spout and handles.



Product Diagram