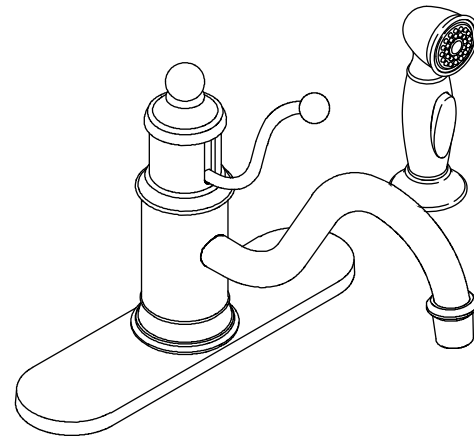


**KITCHEN SINK FAUCET  
K-168  
ALSO K-169, K-170, K-171**

**ADA**

**Features**

- Brass construction
- One-piece, self-contained ceramic disc valve allows both volume and temperature control
- Temperature memory allows faucet to be turned on and off at any temperature setting
- Lever handle
- Single-hole mounting
- 8-1/8" (206 mm) swing spout reach
- Available with or without matching finish sidespray
- Available with or without 10" (254 mm) escutcheon plate
- Lower flow aerator options are available (refer to the Kohler Price Book)
- 2.2 gpm (8.3 lpm) maximum flow rate



**Codes/Standards Applicable**

Specified model meets or exceeds the following:

- ADA
- ASME A112.18.1/CSA B125.1
- ICC/ANSI A117.1
- NSF 61
- ASSE 1014
- Energy Policy Act of 2005
- All applicable US Federal and State material regulations

**Colors/Finishes**

- BN: Brushed Nickel
- CP: Polished Chrome
- Other: Refer to Price Book for additional colors/finishes

**Accessories**

- NA: None applicable

**Specified Model**

Model	Description	Colors/Finishes		
K-168	Kitchen sink faucet – less escutcheon plate, less sidespray	<input type="checkbox"/> CP	<input type="checkbox"/> BN	<input type="checkbox"/> Other ____
K-169	Kitchen sink faucet – less escutcheon plate, with sidespray	<input type="checkbox"/> CP	<input type="checkbox"/> BN	<input type="checkbox"/> Other ____
K-170	Kitchen sink faucet – with escutcheon plate, less sidespray	<input type="checkbox"/> CP	<input type="checkbox"/> BN	<input type="checkbox"/> Other ____
K-171	Kitchen sink faucet – with escutcheon plate, with sidespray (shown)	<input type="checkbox"/> CP	<input type="checkbox"/> BN	<input type="checkbox"/> Other ____

Optional Accessories		
1011402	Sidespray deep roughing-in kit	<input type="checkbox"/> NA

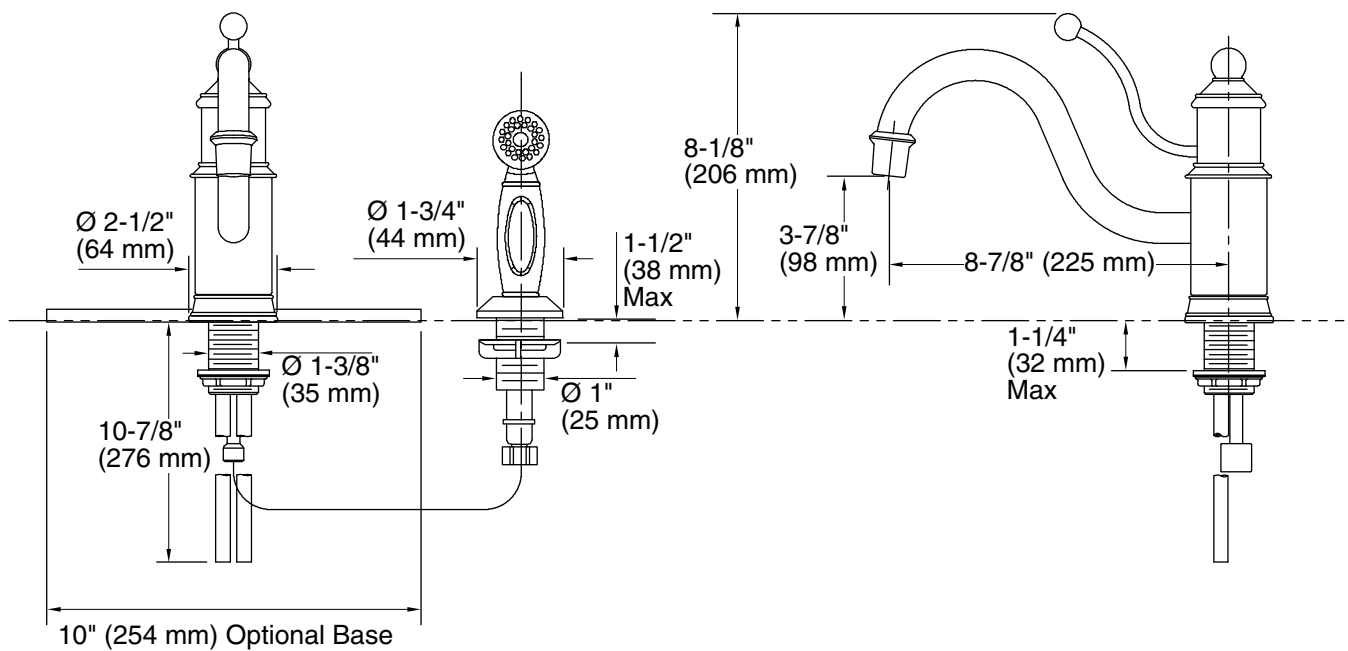
**Product Specification**

The single-handle kitchen sink faucet shall be of brass construction. Product shall feature a 2.2 gallons (8.3 L) per minute maximum flow rate with lower flow aerator options available (refer to the Kohler Price Book). Product shall feature a one-piece, self-contained ceramic disc valve, allowing both volume and temperature control. Product shall feature temperature memory, allowing the faucet to be turned on and off at any temperature setting. Faucet shall feature an 8-1/8" (206 mm) swing spout reach and an ADA compliant lever handle. Faucet shall be for single-hole mounting. Product shall be available with or without a 10" (254 mm) escutcheon plate. Product shall be available with or without a matching finish sidespray. Faucet shall be Kohler Model K-\_\_\_\_-\_\_\_\_.

# ANTIQUE™

## Installation Notes

Install this faucet following the installation instructions provided.



Product Diagram