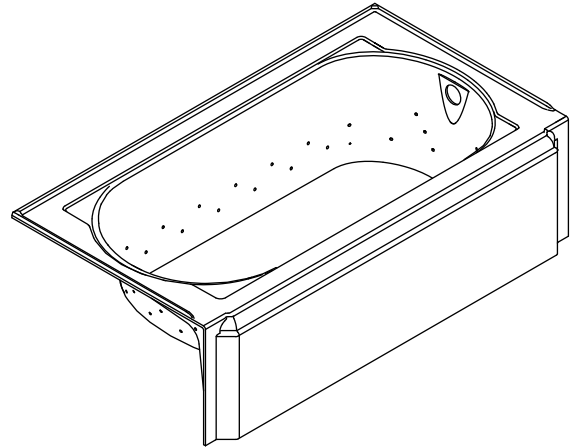


### Features

- Cast iron with Safeguard® finish
- Blower motor with 300 W heater and electronic back-lit user control
- Left or right drain
- 43 BubbleMassage™ airjets
- 18 levels of airflow adjustability
- With Zones of Control™, surge, and automatic purge features
- 60" (1524 mm) x 33-3/4" (857 mm) x 17-7/16" (443 mm)

### 5' (1.5 m) BUBBLEMASSAGE™ BATH K-723-G ALSO K-724-G

ADA



### Codes/Standards Applicable

Specified model meets or exceeds the following:

- ADA
- ICC/ANSI A117.1
- ASME A112.19.1/CSA B45.2
- ASME A112.19.7
- CSA C22.2 No 218.2
- UL 1795

### Colors/Finishes

- 0: White
- CP: Polished Chrome
- NA: None applicable
- Other: Refer to Price Book for additional colors/finishes

### Specified Model

Model	Description	Airjet Trim Color		Colors/Finishes	
K-723-G	5' (1.5 m) BubbleMassage bath – left drain	<input type="checkbox"/> CP	<input type="checkbox"/> Other _____	<input type="checkbox"/> 0	<input type="checkbox"/> Other _____
K-724-G	5' (1.5 m) BubbleMassage bath – right drain	<input type="checkbox"/> CP	<input type="checkbox"/> Other _____	<input type="checkbox"/> 0	<input type="checkbox"/> Other _____

#### Recommended Accessories

K-7161-AF	Pop-up bath drain	<input type="checkbox"/> CP	<input type="checkbox"/> Other _____
K-7259	Toe tap bath drain	<input type="checkbox"/> CP	<input type="checkbox"/> Other _____

#### Optional Accessories

K-1491	Removable pillow	<input type="checkbox"/> 0	<input type="checkbox"/> Other _____
K-1601	Removable footstop	<input type="checkbox"/> 0	<input type="checkbox"/> Other _____
K-1705	Remote control		<input type="checkbox"/> NA
K-9498	3" (76 mm) keypad trim	<input type="checkbox"/> CP	<input type="checkbox"/> Other _____

### Product Specification

The BubbleMassage bath shall be made of cast iron with Safeguard finish. Bath shall be 60" (1524 mm) in length, 33-3/4" (857 mm) in width, and 17-7/16" (443 mm) in height. Bath shall have 43 BubbleMassage airjets. Bath shall have a blower motor with 300 W heater and electronic back-lit user control. Bath shall have left or right drain and 18 levels of airflow adjustability. Bath shall be with Zones of Control™, surge, and automatic purge features. Bath shall be Kohler Model K-723-G\_\_\_\_\_-\_\_\_\_\_ or K-724-G\_\_\_\_\_-\_\_\_\_\_.

## Technical Information

Fixture*:	
Bathing well:	
Basin area, bottom	45" (1143 mm) x 23" (584 mm)
Basin area, top	54" (1372 mm) x 25" (635 mm)
Weight	390 lbs (176.9 kg)
To overflow:	
Water depth	11-5/8" (295 mm)
Capacity	52 gal (196.8 L)
* Approximate measurements for comparison only.	

Blower motor:	Heater	V	Hz	A
	300 W	220-240	50/60	3

## Required Electrical Service

Dedicated circuit required, protected with Class A Ground-Fault Circuit-Interrupter (GFCI):	
Blower motor/control	220-240 V, 15 A, 50/60 Hz

## Installation Notes

Install this product according to the installation guide.

**NOTICE: If the blower motor and check valve are relocated**, two access panels are required. Locate one access panel at the blower motor/control location and the other at the control box. Locate the blower motor and check valve together.

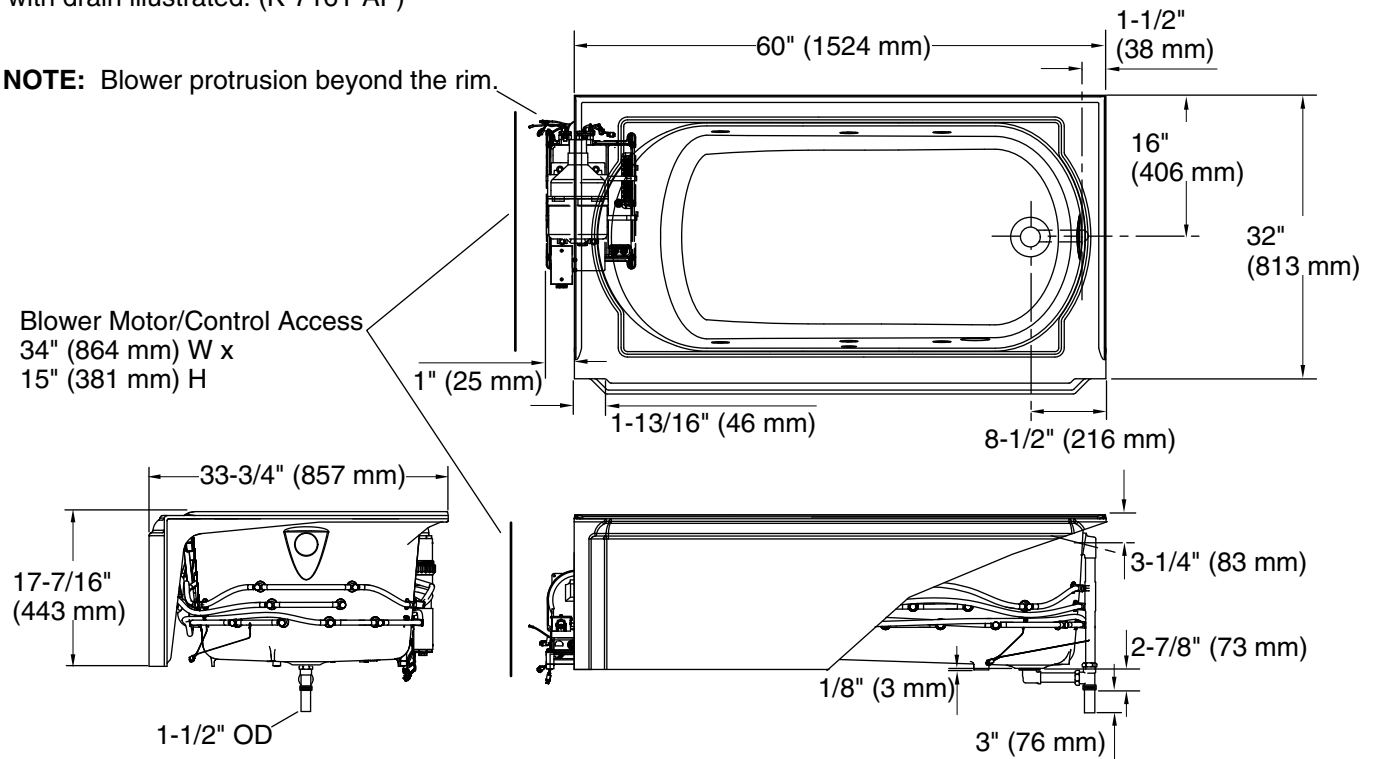
Will comply with **ADA** when installed per Section 607 Bathtubs of the Act.

Floor support under bath must provide for a minimum of 61 lbs/square foot (295 kg/square meter) loading.

Hot water supply should be 70% of capacity or greater. Installations will vary.

No change in measurements if connected with drain illustrated. (K-7161-AF)

**NOTE:** Blower protrusion beyond the rim.



## Product Diagram