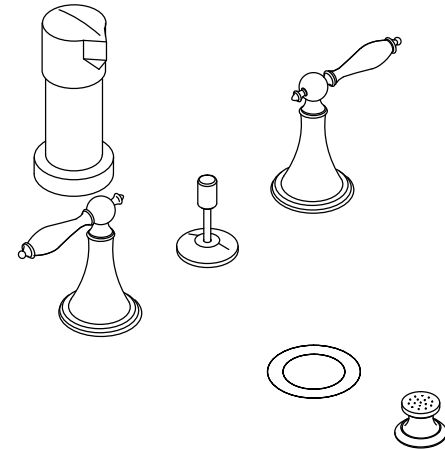


**BIDET FAUCET  
K-316**

**Features**

- Brass construction
- Flexible connections for easy installation
- Brass valve bodies
- Quarter-turn washerless ceramic disc valves
- Pop-up drain with lift rod and tailpiece
- Fixture-mount transfer valve/vacuum breaker
- Vertical spray
- Traditional handles
- Available with contrasting or matching finish lift knob, drain, and handle caps and ends



**Codes/Standards Applicable**

Specified model meets or exceeds the following:

- ASME A112.18.1/CSA B125.1
- ASSE 1001

**Colors/Finishes**

- CP: Polished Chrome
- PB: Vibrant® Polished Brass
- Other: Refer to Price Book for additional colors/finishes

**Specified Model**

Model	Description	Color/Finishes		
		<input type="checkbox"/> CP	<input type="checkbox"/> PB	<input type="checkbox"/> Other_____
K-316-4F	Bidet faucet – biscuit handle inserts	<input type="checkbox"/> CP	<input type="checkbox"/> PB	<input type="checkbox"/> Other_____
K-316-4M	Bidet faucet – matching handle inserts	<input type="checkbox"/> CP	<input type="checkbox"/> PB	<input type="checkbox"/> Other_____
K-316-4P	Bidet faucet – white handle inserts	<input type="checkbox"/> CP	<input type="checkbox"/> PB	<input type="checkbox"/> Other_____

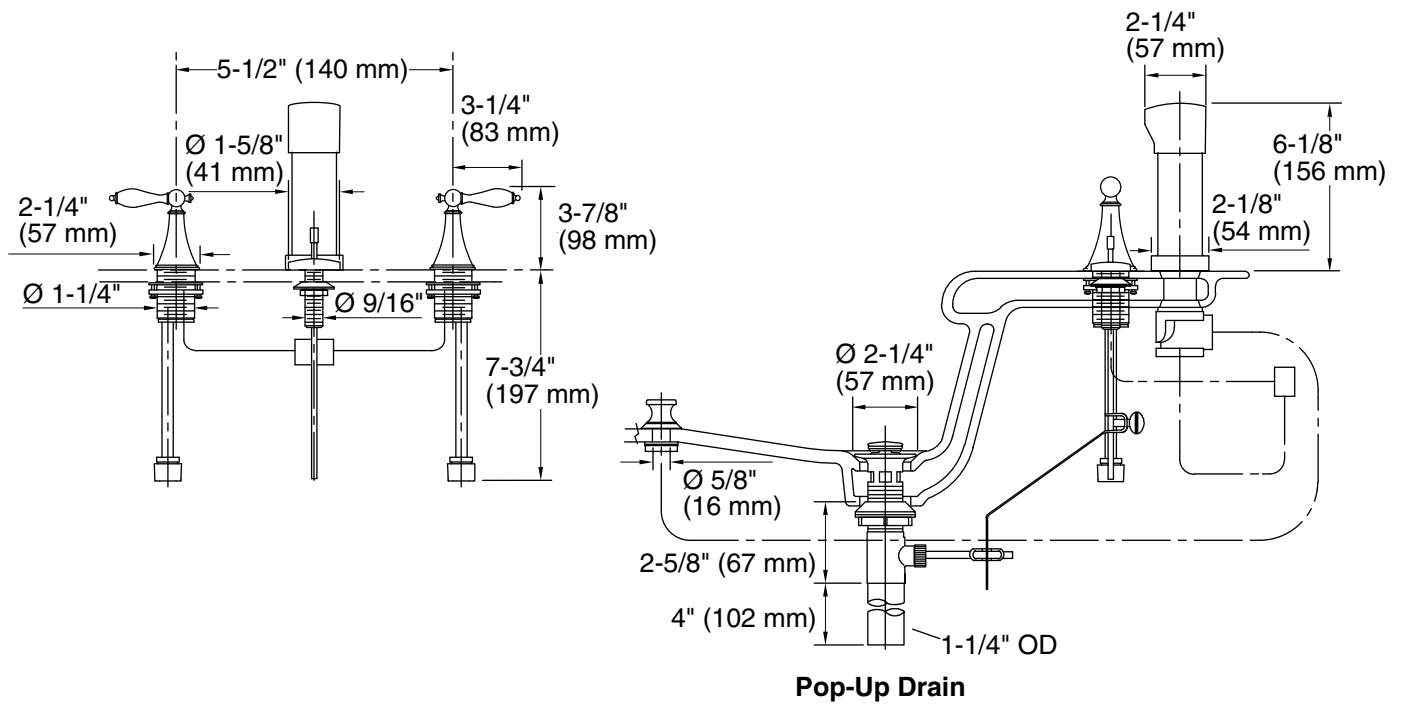
**Product Specification**

Two-handle bidet faucet shall be of brass construction. Faucet shall feature brass valve bodies. Faucet shall feature quarter-turn washerless ceramic disc valves. Product shall include flexible connections for easy installation, pop-up drain with lift rod and tailpiece, traditional handles, fixture-mount transfer valve/vacuum breaker, and vertical spray. Faucet shall be available with contrasting or matching finish lift knob, drain, and handle caps and ends. Faucet shall be Kohler Model K-316-\_\_\_\_\_-\_\_\_\_\_-\_\_\_\_\_.

# FINIAL® TRADITIONAL

## Installation Notes

Install this product according to the installation guide.



## Product Diagram