

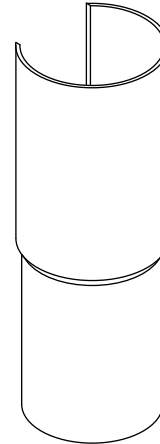
**Features**

- Brass construction
- Conceals drain in console table installations

**Codes/Standards Applicable**

- Specified model meets or exceeds the following:
- ASME A112.18.1/CSA B125.1

**DRAIN SHROUD  
K-7709**



**Colors/Finishes**

- CP: Polished Chrome
- PB: Vibrant<sup>®</sup> Polished Brass
- Other: Refer to Price Book for additional colors/finishes

**Specified Model**

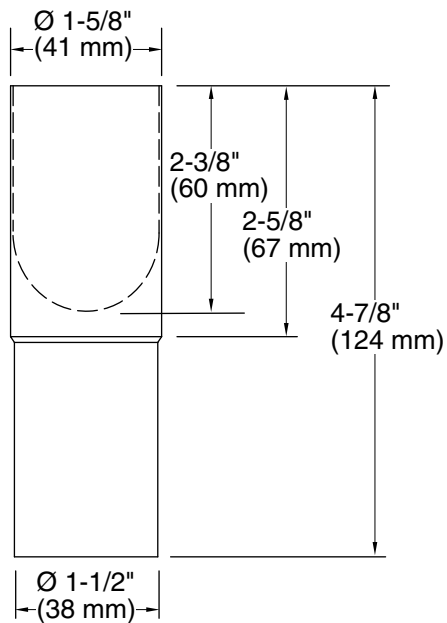
Model	Description	Colors/Finishes		
K-7709	Drain shroud	<input type="checkbox"/> CP	<input type="checkbox"/> PB	<input type="checkbox"/> Other _____

**Product Specification**

Drain shroud shall be of brass construction. Product conceals drains and is intended for console table installations. Drain shroud shall be Kohler Model K-7709-\_\_\_\_\_-\_\_\_\_\_-\_\_\_\_\_.

## Installation Notes

Install this product according to the installation guide.



## Product Diagram