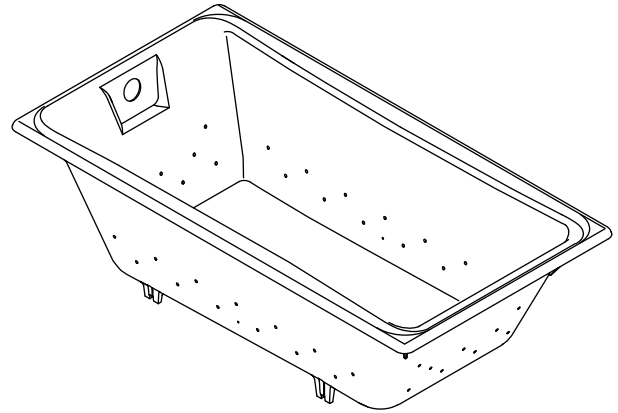


Features

- Cast iron with Safeguard® finish
- Blower motor with 300 W heater and electronic back-lit user control
- 44 BubbleMassage™ airjets
- 18 levels of airflow adjustability
- With Zones of Control™, surge, and automatic purge features
- 60" (1524 mm) x 32" (813 mm) x 18-1/4" (464 mm)

5' (1.5 m) BUBBLEMASSAGE™ BATH K-852-G

ADA



Codes/Standards Applicable

Specified model meets or exceeds the following:

- ADA
- ICC/ANSI A117.1
- ASME A112.19.1/CSA B45.2
- ASME A112.19.7
- CSA C22.2 No 218.2
- UL 1795

Colors/Finishes

- 0: White
- CP: Polished Chrome
- NA: None applicable
- Other: Refer to Price Book for additional colors/finishes

Specified Model

Model	Description	Airjet Trim Color		Colors/Finishes	
K-852-G	5' (1.5 m) BubbleMassage bath	<input type="checkbox"/> CP	<input type="checkbox"/> Other_____	<input type="checkbox"/> 0	<input type="checkbox"/> Other_____
Required Accessories					
K-7169-AF	Pop-up bath drain	<input type="checkbox"/> CP	<input type="checkbox"/> Other_____		
Optional Accessories					
K-586	Undermount installation kit (template and installation guide)			<input type="checkbox"/> NA	
K-1491	Removable pillow	<input type="checkbox"/> 0			<input type="checkbox"/> Other_____
K-1601	Removable footstop	<input type="checkbox"/> 0			<input type="checkbox"/> Other_____
K-1172	Adjustable feet			<input type="checkbox"/> NA	
K-1705	Remote control			<input type="checkbox"/> NA	
K-9498	3" (76 mm) keypad trim		<input type="checkbox"/> CP		<input type="checkbox"/> Other_____

Product Specification

The BubbleMassage bath shall be made of cast iron with Safeguard finish. Bath shall be 60" (1524 mm) in length, 32" (813 mm) in width, and 18-1/4" (464 mm) in height. Bath shall have 44 BubbleMassage airjets. Bath shall have a blower motor with 300 W heater and electronic back-lit user control. Bath shall have 18 levels of airflow adjustability. Bath shall be with Zones of Control™, surge, and automatic purge features. Bath shall be Kohler Model K-852-G_____-_____.

TEA-FOR-TWO®

Technical Information

Fixture*:				
Bathing well:				
Basin area, bottom	40-1/2" (1029 mm) x 20" (508 mm)			
Basin area, top	52-3/4" (134 mm) x 24" (610 mm)			
Weight	290 lbs (131.5 kg)			
To overflow:				
Water depth	13-5/8" (346 mm)			
Capacity	60 gal (227.1 L)			
* Approximate measurements for comparison only.				
Drop-in cut-out	58-1/2" (1486 mm) x 30-1/2" (775 mm)			
Cut-out for undermount	K-586			
Blower motor:	Heater	V	Hz	A
	300 W	220-240	50/60	3

Required Electrical Service

Dedicated circuit required, protected with Class A Ground-Fault Circuit-Interrupter (GFCI):

Blower motor/control	220-240 V, 15 A, 50/60 Hz
----------------------	---------------------------

Installation Notes

Install this product according to the installation guide.

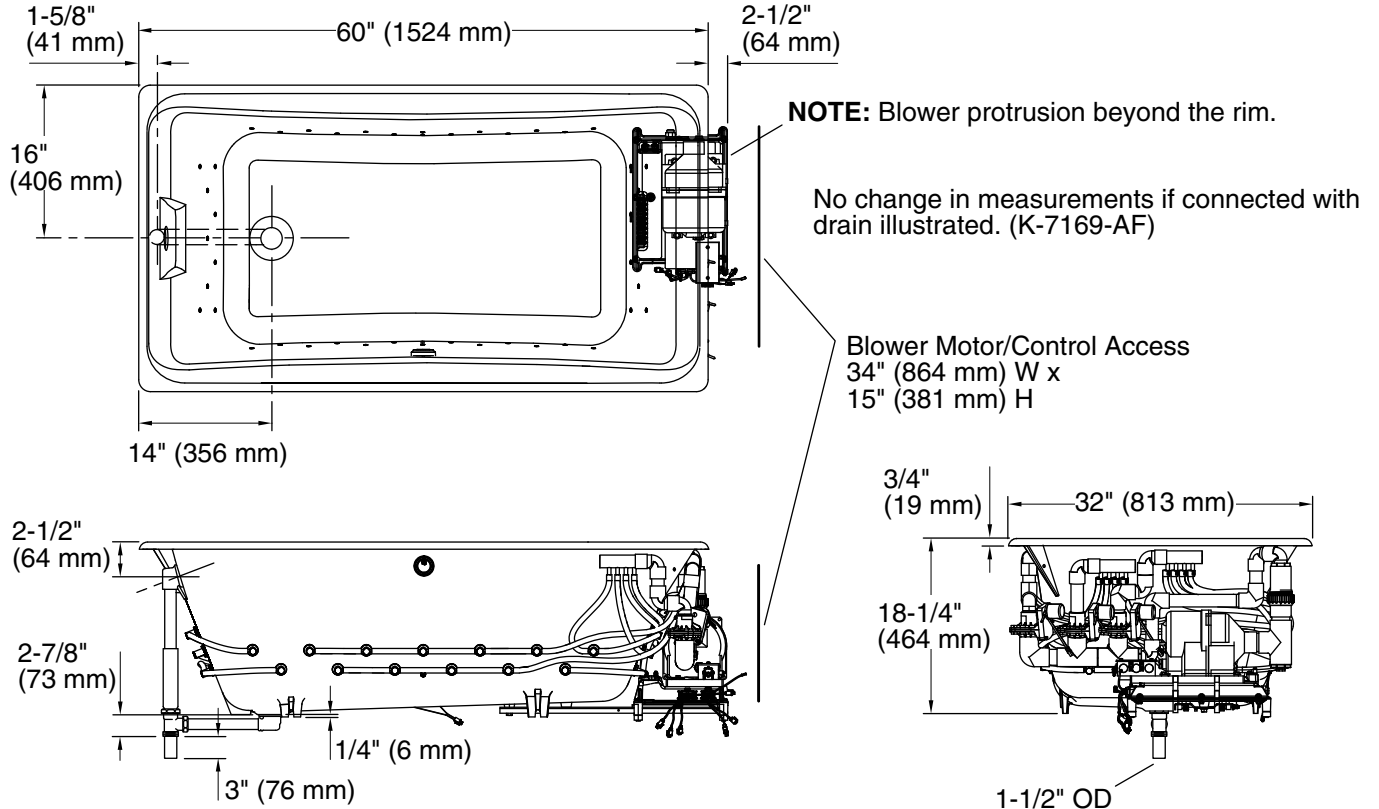
NOTICE: If the blower motor and check valve are relocated, two access panels are required. Locate one access panel at the blower motor/control location and the other at the control box. Locate the blower motor and check valve together.

Will comply with **ADA** when installed per Section 607 Bathtubs of the Act.

Floor support under bath must provide for a minimum of 60 lbs/square foot (290 kg/square meter) loading.

Splitting the deck/surround is recommended if installing into a deck.

Hot water supply should be 70% of capacity or greater. Installations will vary.



Product Diagram