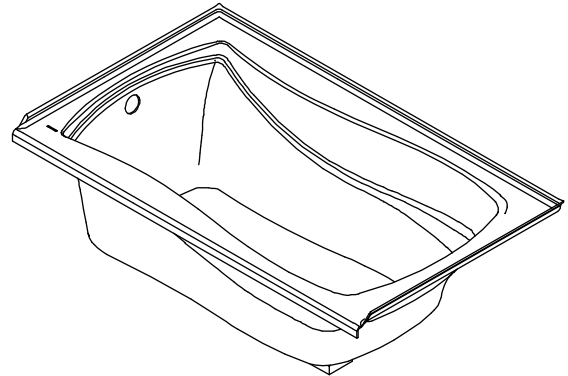


### Features

- Acrylic
- Drop-in or three-wall alcove
- Left or right drain
- Optional K-1491 removable bath pillow
- Optional K-1278 removable apron
- Textured bottom surface
- 60" (1524 mm) x 36" (914 mm) x 20" (508 mm)

**BATH**  
**K-1242**  
**ALSO K-1242-L, K-1242-R**



### Codes/Standards Applicable

Specified model meets or exceeds the following:

- CSA B45.5/IAPMO Z124
- ASTM E162
- ASTM E662

### Colors/Finishes

- 0: White
- Other: Refer to Price Book for additional colors/finishes

### Accessories

- CP: Polished Chrome
- PB: Vibrant® Polished Brass
- Other: Refer to Price Book for additional colors/finishes

### Specified Model

Model	Description	Colors/Finishes	
K-1242	Bath – drop-in rim style	<input type="checkbox"/> 0	<input type="checkbox"/> Other_____
K-1242-L	Bath with left drain – three-wall alcove	<input type="checkbox"/> 0	<input type="checkbox"/> Other_____
K-1242-R	Bath with right drain – three-wall alcove	<input type="checkbox"/> 0	<input type="checkbox"/> Other_____

#### Recommended Accessories

K-7161-AF	Drain	<input type="checkbox"/> CP	<input type="checkbox"/> PB	<input type="checkbox"/> Other_____
-----------	-------	-----------------------------	-----------------------------	-------------------------------------

#### Optional Accessories

K-1278	Removable apron	<input type="checkbox"/> 0	<input type="checkbox"/> Other_____
K-1491	Removable pillow	<input type="checkbox"/> 0	<input type="checkbox"/> Other_____

### Product Specification

The acrylic bath shall be 60" (1524 mm) in length, 36" (914 mm) in width, and 20" (508 mm) in height. Bath shall be for drop-in [K-1242] or three-wall alcove installation [K-1242-L, K01242-R]. Product shall have left or right drain outlet. Product shall feature a textured bottom surface. Product shall be available with an optional K-1278 removable apron and optional K-1491 removable pillow. Bath shall be Kohler Model K-1242-\_\_\_\_ or K-1242-\_\_\_\_-\_\_\_\_.

# MARIPOSA®

## Technical Information

Fixture*:	
Basin area:	
Basin area, top	54" (1372 mm) x 27" (686 mm)
Basin area, bottom	46" (1168 mm) x 24" (610 mm)
Weight	62 lbs (28.1 kg)
To overflow:	
Water depth	14" (356 mm)
Capacity	63 gal (238.5 L)
* Approximate measurements for comparison only.	
Drop-in cutout:	58" (1473 mm) x 34" (864 mm)

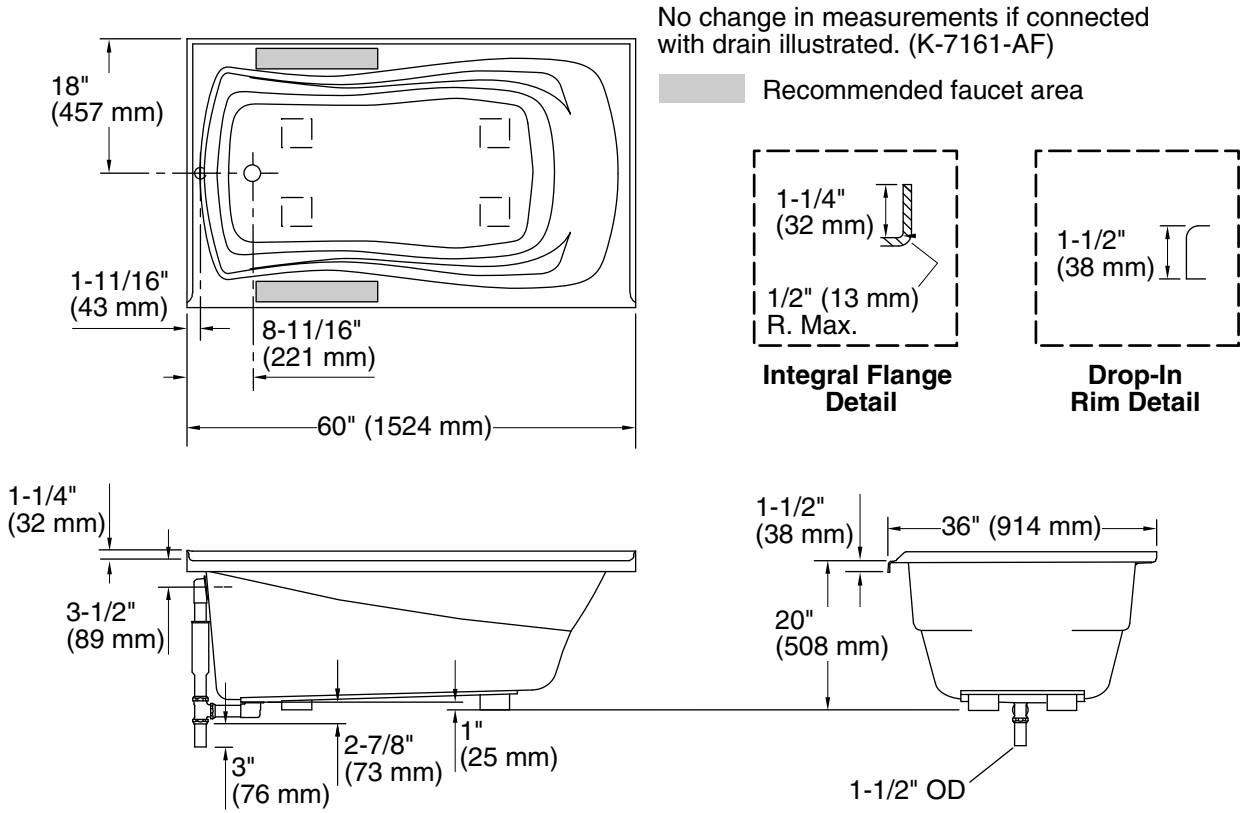
## Installation Notes

Install this product according to the installation guide.

Floor support under bath must provide for a minimum of 41 lbs/square foot (200 kg/square meter) loading.

If installing a rim-mount faucet, make sure there is no interference with the drain overflow before drilling any holes. Consult local and national codes for minimum air gap requirements if installing a spout on the faucet deck.

The apron must be installed before the finished floor and wall materials are installed.



## Product Diagram