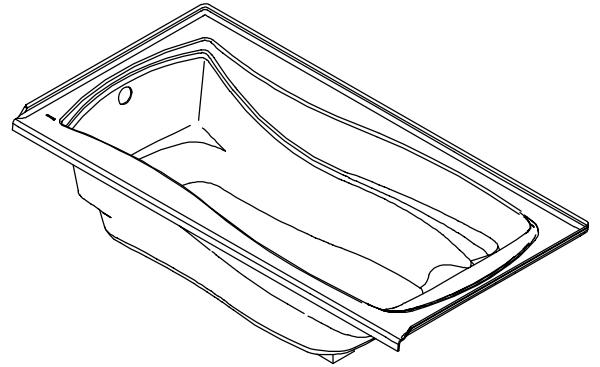


### FEATURES

- 72" x 36" x 20"
- Acrylic
- Left or right outlet
- Optional K-1283 front apron
- Optional K-1491 removable pillow



### CODES/STANDARDS APPLICABLE

Specified model meets or exceeds the following:

- ANSI Z124.1
- IAPMO/UPC
- Canadian Standards Association (CSA)
- State of Massachusetts

### COLORS/FINISHES

- 0 White
- Other Refer to Fixtures Price Book for additional colors

#### Accessories:

- CP Polished Chrome
- PB Polished Brass
- Other Refer to Price Book for additional finishes

### SPECIFIED MODEL:

Model	Description	Colors/Finishes	
K-1259-L	Bath with left outlet, integral flange	<input type="checkbox"/> 0 White	<input type="checkbox"/> Other_____
K-1259-R	Bath with right outlet, integral flange	<input type="checkbox"/> 0 White	<input type="checkbox"/> Other_____
K-1259	Bath, drop-in rim style	<input type="checkbox"/> 0 White	<input type="checkbox"/> Other_____

Recommended Accessories				
K-7166-AF	Drain	<input type="checkbox"/> CP	<input type="checkbox"/> PB	<input type="checkbox"/> Other_____

Optional Accessories			
K-1283	Apron (removable)	<input type="checkbox"/> 0 White	<input type="checkbox"/> Other_____
K-1491	Pillow	<input type="checkbox"/> 0 White	<input type="checkbox"/> Other_____

### PRODUCT SPECIFICATION:

The bath shall be 72" in length, 36" in width, and 20" in height. Bath shall be made of acrylic. Bath shall have optional K-1283 front apron. Bath shall have optional K-1491 removable pillow. Bath shall be Kohler Model K-1259-\_\_\_\_\_-\_\_\_\_\_.

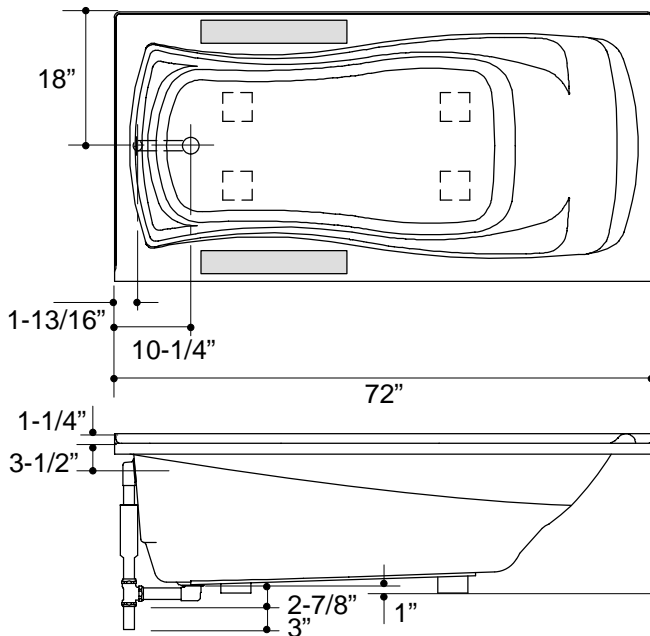
# MARIPOSA™

## PRODUCT INFORMATION

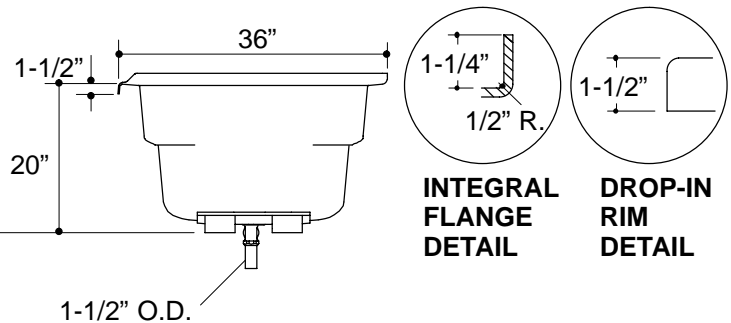
Fixture*:	basin area	top area	weight
Bathing well	50" x 24"	65" x 27"	77 lbs.
	water depth	capacity	
To overflow	14"	72 gal.	
* Approximate measurements for comparison only.			

## INSTALLATION NOTES

The apron must be installed before the finish floor and wall materials are installed.



Roughing-In Notes		
No change in measurements if connected with drain illustrated.		
Cut-out	K-1259 drop-in rim style, 70" x 34"	
Faucet area		recommended



1.25>132

## PRODUCT DIAGRAM