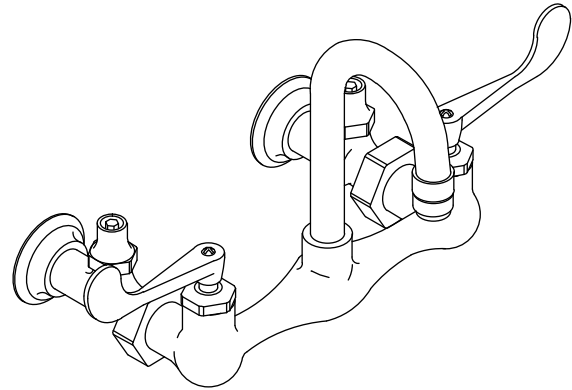


**SINK FAUCET
K-7308-5A**

ADA **CSA B651** **OBC**

Features

- Brass construction
- Brass valve bodies
- Valvet® valves
- Wristblade lever handles
- For 8" (203 mm) centers
- Adjustable flanges
- Loose key stops
- 1/2" NPT inside threaded inlets
- 3-5/8" (92 mm) low gooseneck spout reach
- Stationary spout
- 7-5/8" (194 mm) wall-to-spout outlet



Codes/Standards Applicable

Specified model meets or exceeds the following:

- ADA
- ICC/ANSI A117.1
- CSA B651
- OBC
- ASME A112.18.1/CSA B125.1
- NSF 61
- Energy Policy Act of 2005
- All applicable US Federal and State material regulations

Colors/Finishes

- CP: Polished Chrome

Specified Model

Model	Description	Colors/Finishes
K-7308-5A	Sink faucet	<input type="checkbox"/> CP

Product Specification

The two-handle sink faucet shall be of brass construction and brass valve bodies. Product shall feature Valvet valves, loose key stops, 1/2" NPT inside threaded inlets, and adjustable flanges. Product shall feature a 3-5/8" (92 mm) low gooseneck spout reach, 7-5/8" (194 mm) wall-to-spout outlet, stationary spout, and wristblade handles. Product shall be for 8" (203 mm) centers. Faucet shall be Kohler Model K-7308-5A-CP.

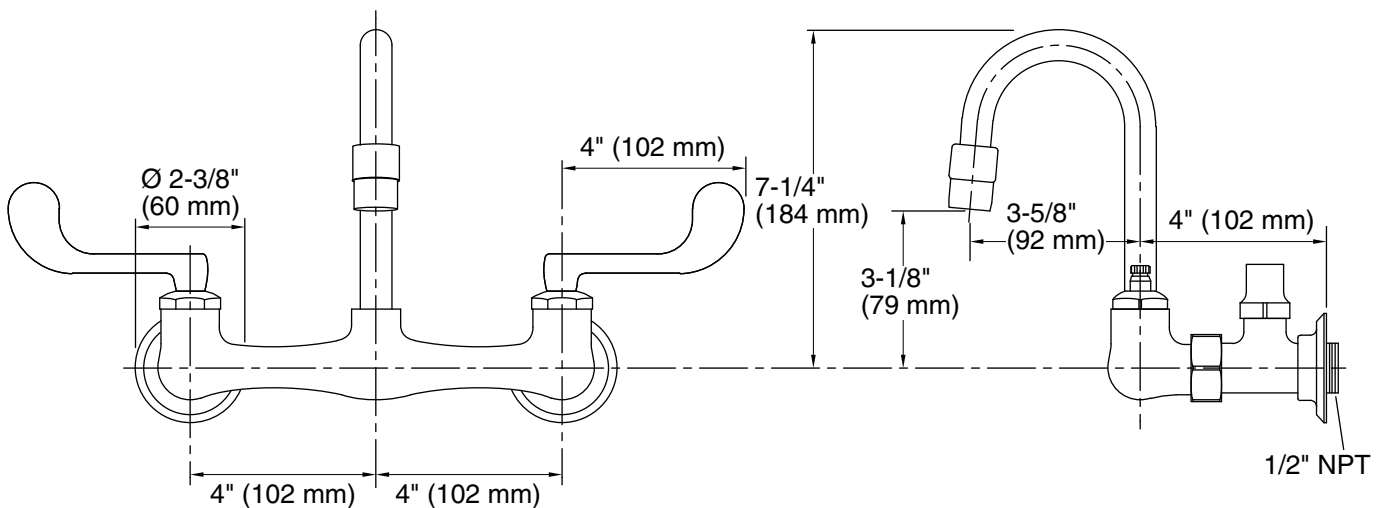
TRITON®

Optional Accessories		
1160594	Large Spray 0.35 gpm (1.32 lpm) – Insert only	<input type="checkbox"/> NA
_____	Additional flow options are available (refer to the Price Book)	<input type="checkbox"/> NA

Installation Notes

Install this product according to the installation guide.

ADA, CSA B651, OBC compliant when installed to the specific requirements of these regulations.



Product Diagram