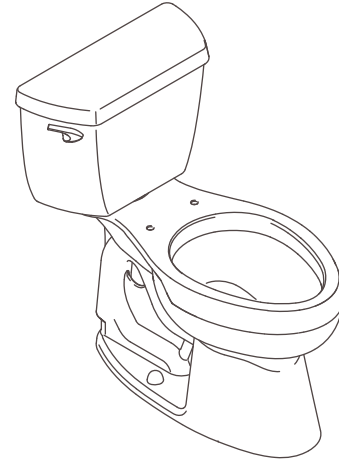


#### Features

- Vitreous china
- Elongated bowl
- Comfort Height®
- Class Five® flushing system
- Less supply
- 10" (254 mm) rough-in
- 1.28 gpf (4.8 lpf)
- 2-1/8" (54 mm) glazed trapway
- 11-3/8" (289 mm) x 8" (203 mm) water area
- 29-1/2" (749 mm) x 19-5/8" (498 mm) x 30-3/8" (772 mm)



#### Codes/Standards Applicable

Specified model meets or exceeds the following:

- ADA
- ICC/ANSI A117.1
- ASME A112.19.2/CSA B45.1
- EPA WaterSense®

#### Colors/Finishes

- 0: White
- Other: Refer to Price Book for additional colors/finishes

#### Accessories

- 0: White
- CP: Polished Chrome
- Other: Refer to Price Book for additional colors/finishes

#### Specified Model

Model	Description	Trip Lever	Colors/Finishes	
K-3713	Class Five® toilet	left-hand	<input type="checkbox"/> 0	<input type="checkbox"/> Other_____
K-3713-RA	Class Five® toilet	right-hand	<input type="checkbox"/> 0	<input type="checkbox"/> Other_____

Recommended Accessories				
K-4713	French Curve® Quiet-Close™ elongated toilet seat	<input type="checkbox"/> 0		<input type="checkbox"/> Other_____
K-4731	Stronghold® elongated open-front toilet seat – for ADA compliance	<input type="checkbox"/> 0		<input type="checkbox"/> Other_____
K-7637	Angle supply with stop – 3/8" NPT		<input type="checkbox"/> CP	<input type="checkbox"/> Other_____

#### Product Specification

The elongated bowl toilet shall be made of vitreous china. Toilet shall be 29-1/2" (749 mm) in length, 19-5/8" (498 mm) in width, and 30-3/8" (772 mm) in height with a 11-3/8" (289 mm) x 8" (203 mm) water area. Toilet shall be 1.28 gpf (4.8 lpf) with Class Five® flushing system. Toilet shall have 10" (254 mm) rough-in and 2-1/8" (54 mm) glazed trapway. Toilet shall be Comfort Height and less supply. Toilet shall be Kohler Model K-3713-\_\_\_\_\_.

# HIGHLINE®

## Technical Information

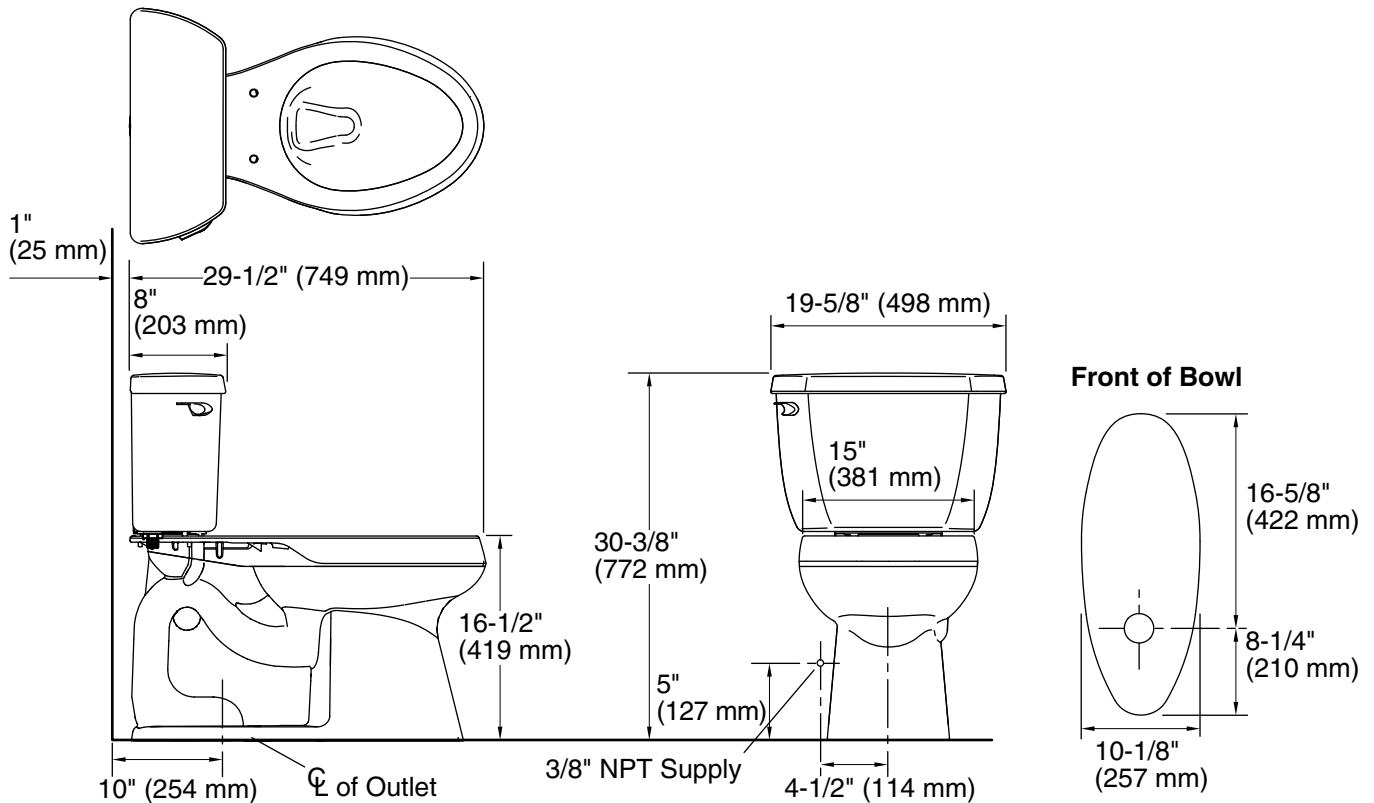
Fixture:	
Configuration	Two-piece, elongated
Water per flush	1.28 gal (4.8 L)
Passageway	2-1/8" (54 mm)
Water area	11-3/8" (289 mm) x 8" (203 mm)
Water depth from rim	5-3/8" (137 mm)
Seat post hole centers	5-1/2" (140 mm)

Included components:	
Bowl	K-4373
Tank	K-4436
Tank cover	84591
Trip lever	K-9386
Bolt cap accessory pack	1013092

## Installation Notes

Install this product according to the installation guide.

Will comply with the American Disabilities Act (ADA) when installed per the requirements of the Accessibility Guidelines, Section 604 Water Closets, of the Act. The Model Plumbing Codes require the installation of elongated open-front toilet seats in public bathrooms.



**Product Diagram**