

Features

- Brass construction
- Fixture-mount design
- Intended for urinal installations with 1-1/4" spud coupling connection
- Non-hold open piston technology for accurate activation
- Retrofit models require a control stop and vacuum breaker
- 1.0 gpf (3.8 lpf) for blow out urinals (K-13522 and K-13522-RF)

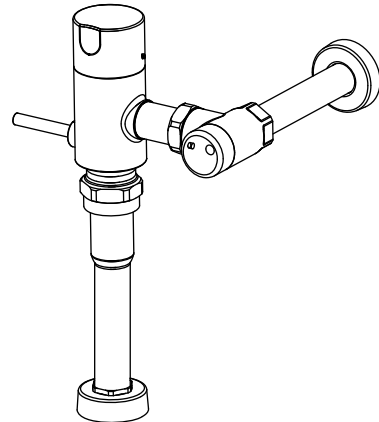
Codes/Standards Applicable

Specified model meets or exceeds the following:

- ADA
- ASSE 1037
- CSA B125.3
- ICC/ANSI A117.1
- CSA B651
- OBC
- CSA B64

**EXPOSED FLUSHOMETER
K-13522
ALSO K-13522-RF**

ADA **CSA B651** **OBC**



Colors/Finishes

- CP: Polished Chrome

Specified Model

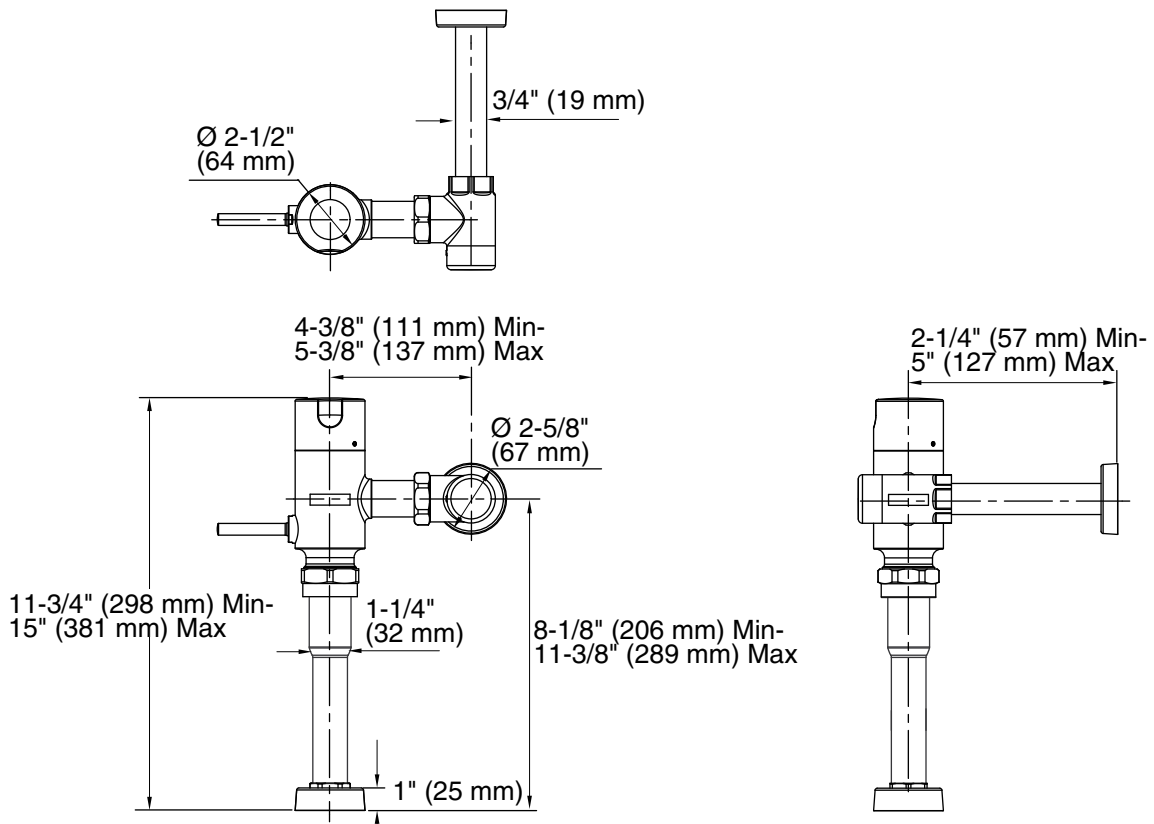
Model	Description	Colors/Finishes
K-13522	1.0 gpf (3.8 lpf) exposed flushometer	<input type="checkbox"/> CP
K-13522-RF	1.0 gpf (3.8 lpf) exposed flushometer retrofit	<input type="checkbox"/> CP

Product Specification

The manual flushometer shall be made of brass construction. Flushometer shall feature non-hold open piston technology for accurate activation. Flushometer shall have a fixture-mount design. Flushometer is intended for urinal installations with 1-1/4" spud coupling connection and retrofit models require a control stop and vacuum breaker. Flushometer shall have a 1.0 gpf (3.8 lpf) consumption for blow out urinals (K-13522 and K-13522-RF). Exposed flushometer shall be Kohler Model K-_____-CP.

Installation Notes

Install this product according to the installation guide.



Product Diagram