

#### Features

- Vitreous china
- Elongated bowl
- Class Five® flushing system
- Polished chrome trip lever
- Less seat and supply
- 14" (356 mm) rough-in
- 1.28 gpf (4.8 lpf)
- 2-1/8" (54 mm) glazed trapway
- 11-3/8" (289 mm) x 8" (203 mm) water area
- 31-5/8" (803 mm) x 18-1/4" (464 mm) x 30-3/4" (781 mm)

ADA CSA B651 OBC



#### Codes/Standards Applicable

Specified model meets or exceeds the following:

- ADA
- ICC/ANSI A117.1
- CSA B651
- OBC
- ASME A112.19.2/CSA B45.1
- EPA WaterSense®

#### Colors/Finishes

- 0: White
- Other: Refer to Price Book for additional colors/finishes

#### Specified Model

Model	Description	Trip Lever	Colors/Finishes	
K-3949	Class Five toilet	left-hand	<input type="checkbox"/> 0	<input type="checkbox"/> Other _____
K-3949-RA	Class Five toilet	right-hand	<input type="checkbox"/> 0	<input type="checkbox"/> Other _____
K-3949-RZ	Class Five toilet with Insuliner® and tank cover locks	right-hand	<input type="checkbox"/> 0	<input type="checkbox"/> Other _____
K-3949-T	Class Five toilet with tank cover locks	left-hand	<input type="checkbox"/> 0	<input type="checkbox"/> Other _____
K-3949-TR	Class Five toilet with tank cover locks	right-hand	<input type="checkbox"/> 0	<input type="checkbox"/> Other _____
K-3949-U	Class Five toilet with Insuliner	left-hand	<input type="checkbox"/> 0	<input type="checkbox"/> Other _____
K-3949-UR	Class Five toilet with Insuliner	right-hand	<input type="checkbox"/> 0	<input type="checkbox"/> Other _____
K-3949-UT	Class Five toilet with Insuliner and tank cover locks	left-hand	<input type="checkbox"/> 0	<input type="checkbox"/> Other _____

#### Recommended Accessories

K-4636	Cachet® Quiet-Close™ seat with Quick-Release™ functionality	<input type="checkbox"/> 0	<input type="checkbox"/> Other _____
K-4688	Cachet toilet seat with cover	<input type="checkbox"/> 0	<input type="checkbox"/> Other _____

#### Product Specification

The elongated bowl toilet shall be made of vitreous china. Toilet shall be 31-5/8" (803 mm) in length, 18-1/4" (464 mm) in width, and 30-3/4" (781 mm) in height with a 11-3/8" (289 mm) x 8" (203 mm) water area. Toilet shall be 1.28 gpf (4.8 lpf) with Class Five flushing system. Toilet shall include polished chrome trip lever. Toilet shall have 2-1/8" (54 mm) glazed trapway. Toilet shall be 14" (356 mm) rough-in. Toilet shall be less seat and supply. Toilet shall be Kohler Model K-3949-\_\_\_\_\_-\_\_\_\_\_.

# HIGHLINE®

## Recommended Accessories (Cont.)

K-4731	Stronghold® elongated open-front toilet seat – for Accessibility compliance	<input type="checkbox"/> 0	<input type="checkbox"/> Other_____
K-7637	Angle supply with stop – 3/8" NPT		<input type="checkbox"/> Other_____

## Technical Information

Fixture:	
Configuration	Two-piece, elongated
Water per flush	1.28 gpf (4.8 lpf)
Passageway	2-1/8" (54 mm)
Water area	11-3/8" (289 mm) x 8" (203 mm)
Water depth from rim	5-3/8" (137 mm)
Seat post hole centers	5-1/2" (140 mm)

Included components:	
Bowl	K-4199
Tank	K-4841
Tank cover	1145223
Trip lever	K-9379
Bolt cap accessory pack	1013092

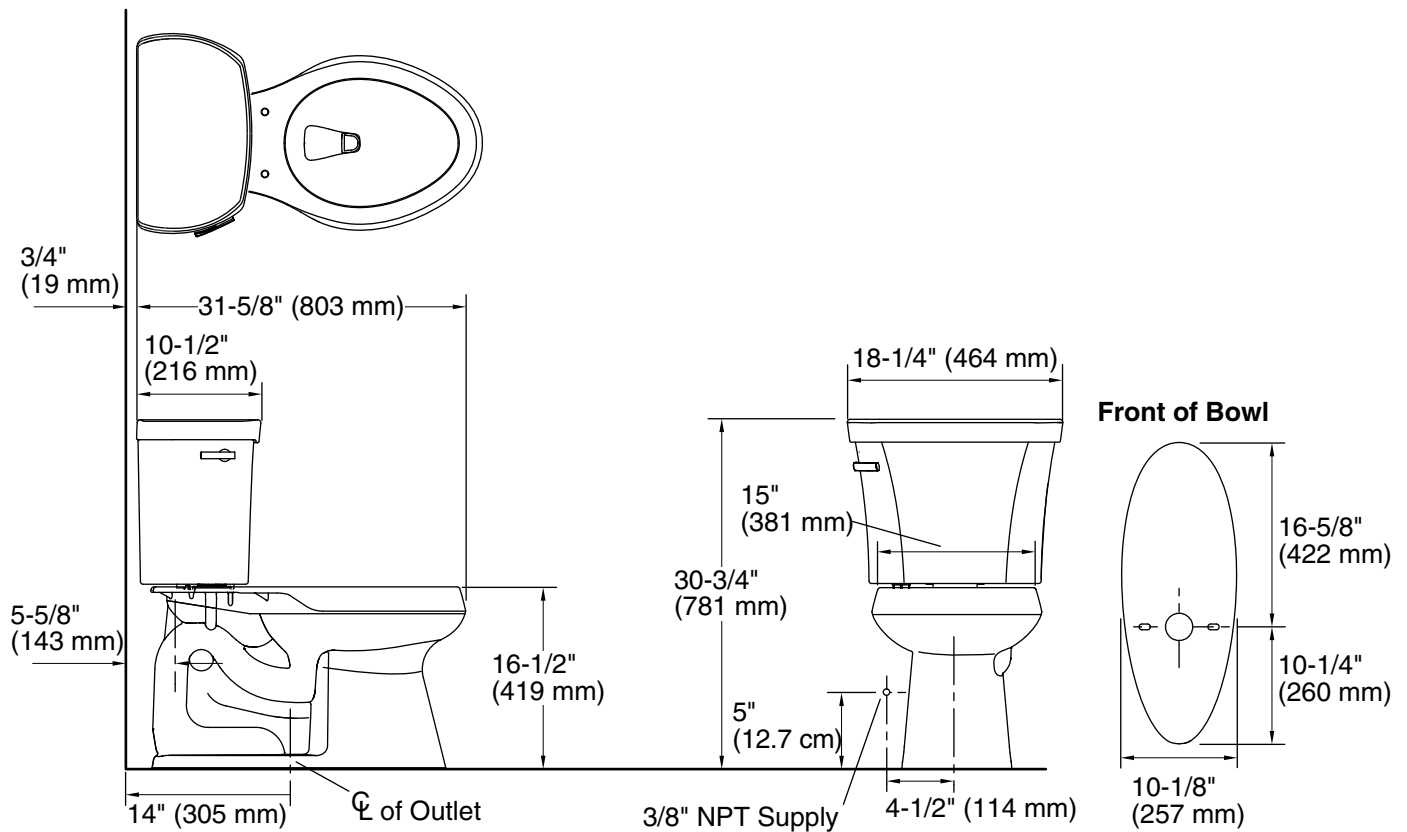
## Installation Notes

Install this product according to the installation guide.

Will comply with the American Disabilities Act (**ADA**) when installed per the requirements of the Accessibility Guidelines, Section 604 Water Closets, of the Act, which include the installation of an open front seat.

Will comply with **CSA B651** when installed per Clause 4.3.6 of the standard.

Will comply with **OBC** when installed per Clause 3.8.3.8 and 3.8.3.9.



## Product Diagram