

**BIDET FAUCET
K-5329**

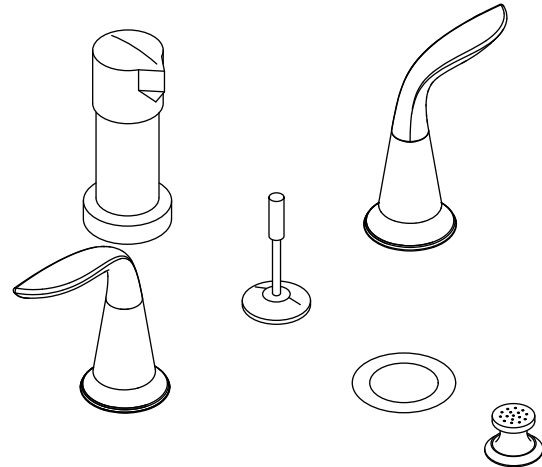
Features

- Metal construction
- Flexible connections for easy installation
- Quarter-turn washerless ceramic disc valves
- Pop-up drain with lift rod and tailpiece
- Vertical spray
- Fixture-mount transfer valve/vacuum breaker

Codes/Standards Applicable

Specified model meets or exceeds the following:

- ASME A112.18.1/CSA B125.1
- ASSE 1001



Colors/Finishes

- CP: Polished Chrome
- Other: Refer to Price Book for additional colors/finishes

Specified Model

Model	Description	Colors/Finishes
K-5329-4	Bidet faucet	<input type="checkbox"/> CP <input type="checkbox"/> Other _____

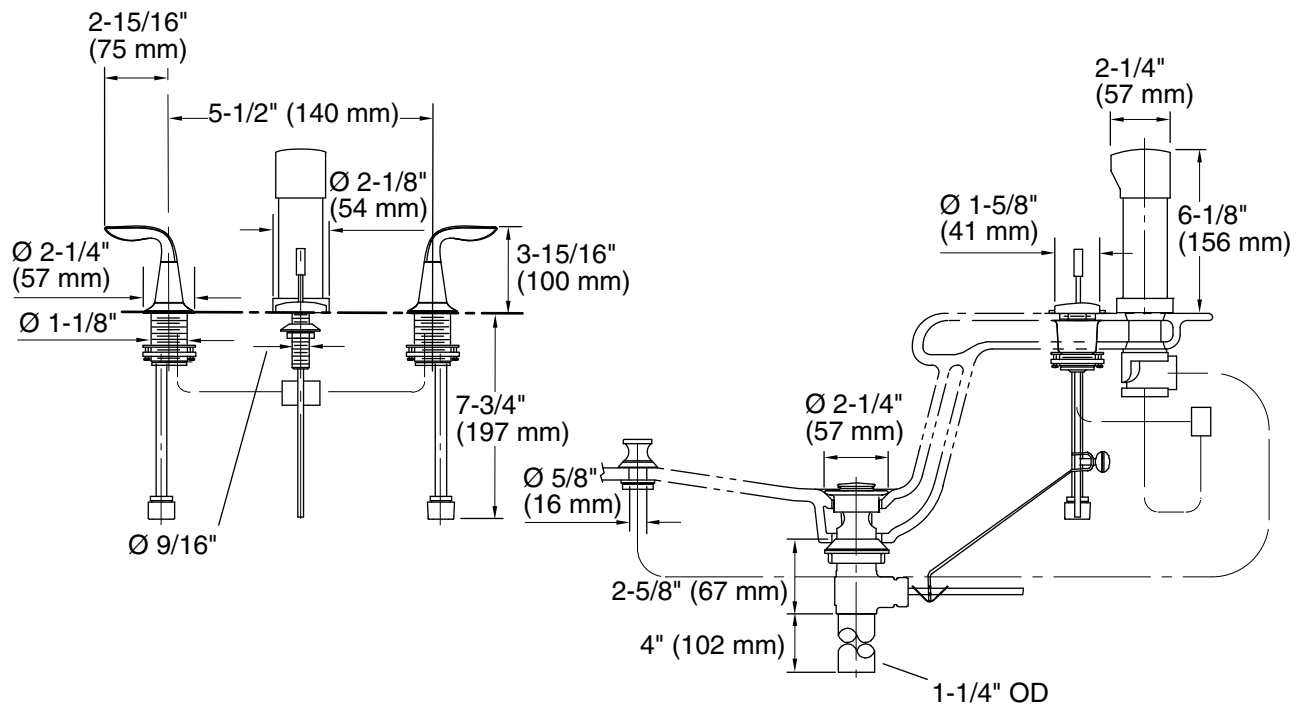
Product Specification

The two-handle fixture-mount bidet faucet shall be made of metal construction. Faucet shall feature quarter-turn washerless ceramic disc valves. Product shall include flexible connections for easy installation and a vertical spray. Product shall have a pop-up drain with lift rod and tailpiece, and fixture-mount transfer valve/vacuum breaker. Faucet shall be Kohler Model K-5329-4-_____.

REFINIA™

Installation Notes

Install this product according to the installation guide.



Product Diagram