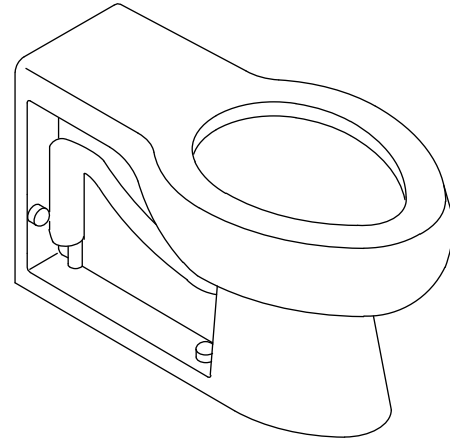


BOWL K-4398

Features

- Vitreous china
- Elongated bowl
- Angle back and wall outlet
- Integral seat
- 4-1/2" (114 mm) rough-in
- 1-1/2" rear spud
- 11" (279 mm) x 9-1/2" (241 mm) water area
- 2-3/8" (60 mm) passageway
- 1.6 gpf (6 lpf)
- 27-1/2" (699 mm) x 14-1/2" (368 mm) x 15" (381 mm)



Codes/Standards Applicable

Specified model meets or exceeds the following:

- ASME A112.19.2/CSA B45.1

Colors/Finishes

- 0: White

Specified Model

Model	Description	Colors/Finishes
K-4398	Elongated bowl toilet with integral seat	<input type="checkbox"/> 0
Recommended Accessories		
21401	Floor bolts (pair)	

Product Specification

The elongated bowl shall be 4-1/2" (114 mm) rough-in with a 1-1/2" rear spud. Bowl shall be made of vitreous china. Bowl shall be 1.6 gpf (6 lpf). Bowl shall have a 2-3/8" (60 mm) passageway. Bowl shall have 11" (279 mm) by 9-1/2" (241 mm) water area. Bowl shall have angle back and wall outlet. Bowl shall have integral seat. Bowl shall be 27-1/2" (699 mm) in length, 14-1/2" (368 mm) in width, and 15" (381 mm) in height. Bowl shall be Kohler Model K-4398-0.

ANGLESEY™

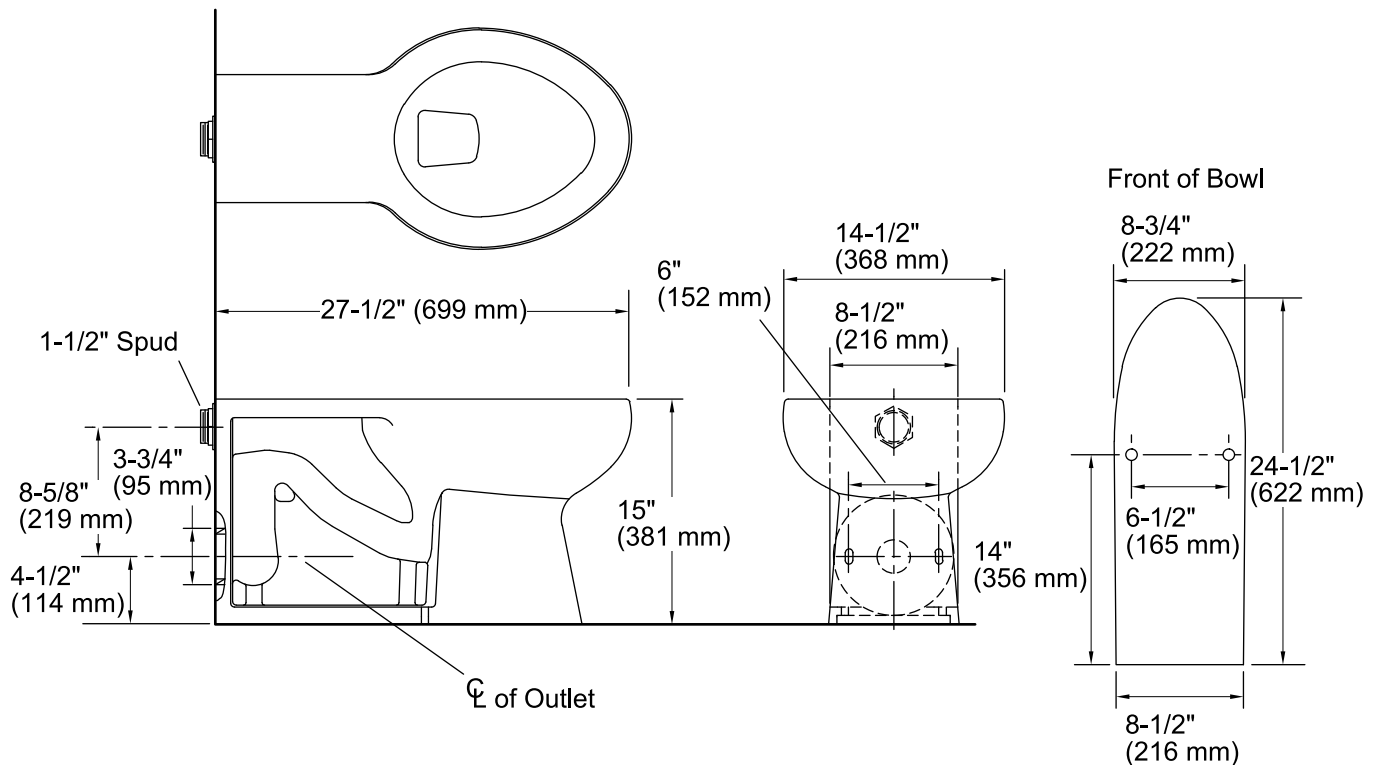
Technical Information

Fixture:	
Configuration	Rear spud, elongated with integral seat
Water per flush	1.6 gal (6 L)*
Spud size	1-1/2"
Passageway	2-3/8" (60 mm)
Water area	11" (279 mm) x 9-1/2" (241 mm)
Water depth from rim	5-1/4" (133 mm)
* Designed to flush with 1.6 gal (6 L) of water when installed with a 1.6 gpf (6 lpf) valve.	

Included components:	
Spud	18357
Bolt caps (pair)	52048
Floor screws (pair)	21402

Installation Notes

Install this product according to the installation guide.
Refer to manufacturer and local codes for flush valve requirements.



Product Diagram