

Features

- KOHLER cast iron
- Without overflow
- Available as above-counter, drop-in, or wall-bracket installation
- ADA compliant when distance from rim to floor is 34" (864 mm) [drop-in only]
- Optional wall-mount bracket [K-9655]
- 18" (457 mm) x 16" (406 mm)

VESSELS BATHROOM SINK K-2804 ALSO K-14225

ADA

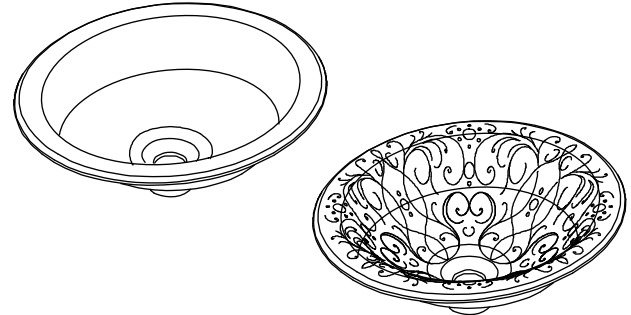
CSA B651

OBC

Codes/Standards Applicable

Specified model meets or exceeds the following:

- ADA
- ICC/ANSI A117.1
- CSA B651
- OBC
- ASME A112.19.1/CSA B45.2



Colors/Finishes

- 0: White
- Other: Refer to Price Book for additional colors/finishes

Accessories

- CP: Polished Chrome
- Other: Refer to Price Book for additional colors/finishes
- NA: None applicable

Specified Model

Model	Description	Colors/Finishes	
K-2804	Bathroom sink - drop-in	<input type="checkbox"/> 0	<input type="checkbox"/> Other _____
K-2804-P5	Glazed underside – above-counter or wall-mount bracket	<input type="checkbox"/> 0	<input type="checkbox"/> Other _____
K-14225	Iron Etchings™ design – above-counter or drop-in	<input type="checkbox"/> 0	<input type="checkbox"/> Other _____
Recommended Accessories			
K-9018	P-Trap	<input type="checkbox"/> CP	<input type="checkbox"/> Other _____
Optional Accessories			
K-9655	Vessels wall-mount bracket – for use with K-2804-P5 or K-14225	<input type="checkbox"/> NA	

Product Specification

The bathroom sink shall be made of cast iron. Bathroom sink shall be 18" (457 mm) in width and 16" (406 mm) in length. Bathroom sink shall be without overflow. Bathroom sink shall be available as above-counter, drop-in, or wall-bracket installation. Bathroom sink shall be ADA compliant when distance from rim to floor is 34" (864 mm) [drop-in only]. Bathroom sink shall have optional wall-mount bracket [K-9655] available. Bathroom sink shall be without overflow. Kohler Model K-____-____ or K-____-____-____

IRON BELL®

Technical Information

Fixture*:	
Basin area	13" (330 mm) x 12" (305 mm)
Water depth	4-3/8" (111 mm)
Drain hole	Ø 1-3/4" (44 mm)
*Approximate measurements for comparison only.	
Included components:	
Cut-out template	115887-7

Installation Notes

Install this product according to the installation guide.

Product does not have overflow.

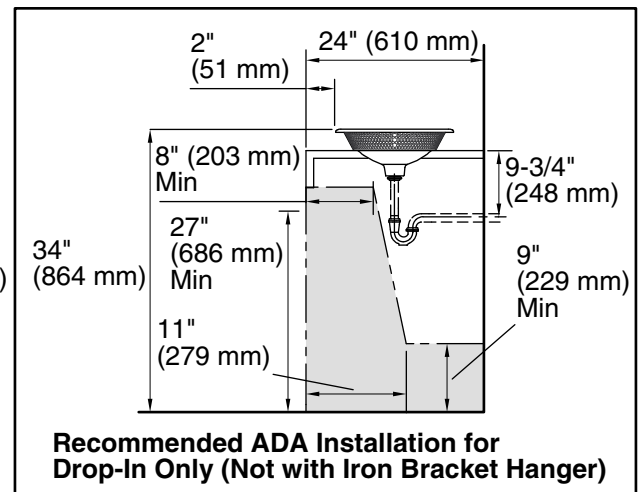
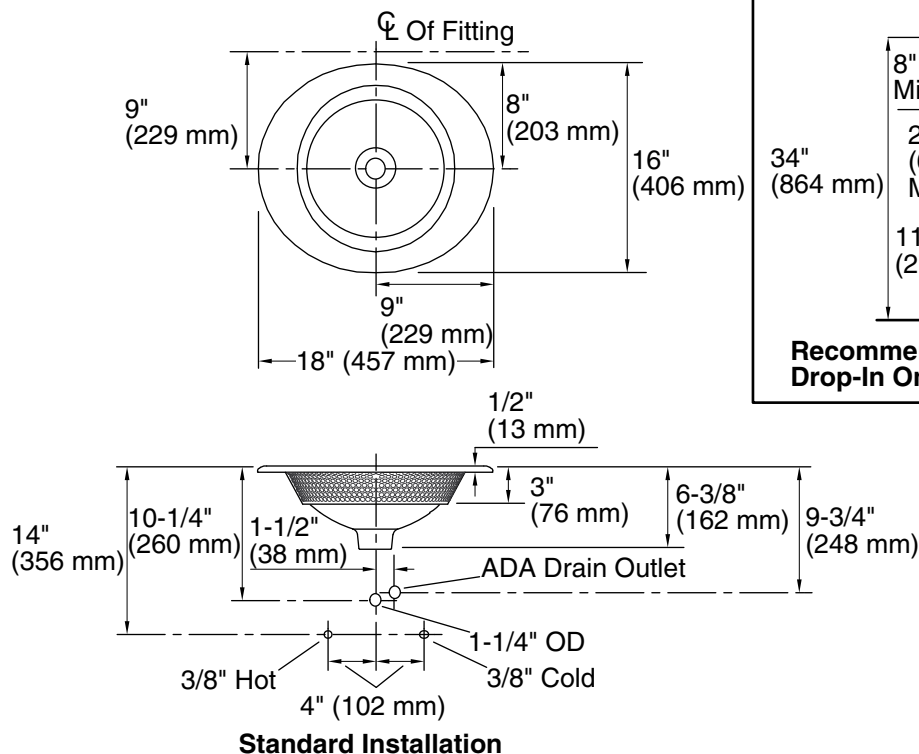
Spout must be a minimum of 5" (127 mm) long for adequate clearance into the bathroom sink when installed with the centerline as shown.

Spout must be tall enough to clear the 3" (76 mm) rim height and provide a 1" (25 mm) air gap per ASME A112.1.2.

Will comply with **ADA** when installed per Section 606 Lavatories of the Act.

Will comply with **CSA B651** when installed per Clause 4.3.3 of the standard.

Will comply with **OBC** when installed per Clause 3.8.3.11.



Product Diagram