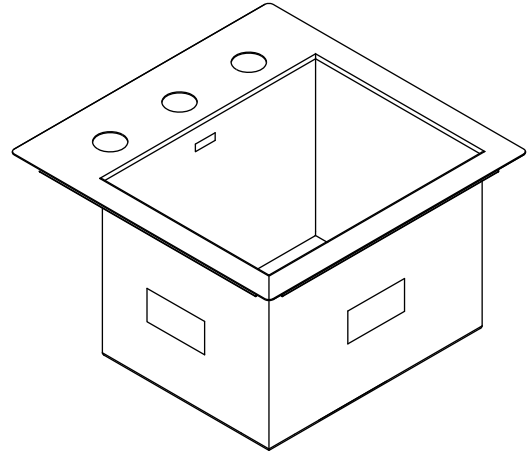


### Features

- 18-gauge stainless steel
- Top-mount or under-mount
- Includes bottom bowl rack
- Includes installation hardware
- 15" (381 mm) x 15" (381 mm)

### TOP-MOUNT/UNDER-MOUNT BAR SINK K-3840



### Codes/Standards Applicable

Specified model meets or exceeds the following:

- ASME A112.19.3/CSA B45.4
- ADA
- ICC/ANSI A117.1

### Colors/Finishes

- NA: None applicable

### Accessories

- CP: Polished Chrome
- ST: Stainless Steel
- NA: None applicable
- Other: Refer to Price Book for additional colors/finishes

### Specified Model

| Model    | Description                                  | Colors/Finishes             |
|----------|--|-----------------------------|
| K-3840-1 | Top-mount/Under-mount bar sink – single-hole | <input type="checkbox"/> NA |
| K-3840-2 | Top-mount/Under-mount bar sink – 2-hole      | <input type="checkbox"/> NA |
| K-3840-3 | Top-mount/Under-mount bar sink – 3-hole      | <input type="checkbox"/> NA |

| Included Accessories |                  |                             |
|----------------------|------------------|-----------------------------|
| K-2993               | Bottom bowl rack | <input type="checkbox"/> ST |

| Optional Accessories |   |                             |                             |                                     |
|----------------------|---|-----------------------------|-----------------------------|-------------------------------------|
| K-8801               | Duostrainer® sink strainer  | <input type="checkbox"/> CP |                             | <input type="checkbox"/> Other_____ |
| 1131881              | Hardware kit for countertops with a 2-1/2" (640 mm) thickness or less |                             | <input type="checkbox"/> NA |                                     |

### Product Specification

The top-mount/under-mount bar sink shall be made of 18-gauge stainless steel. Sink shall include bottom basin rack and installation hardware. Sink shall be 15" (381 mm) in length, 15" (381 mm) in width. Sink shall be Kohler Model K-3840-\_\_\_\_\_-NA.

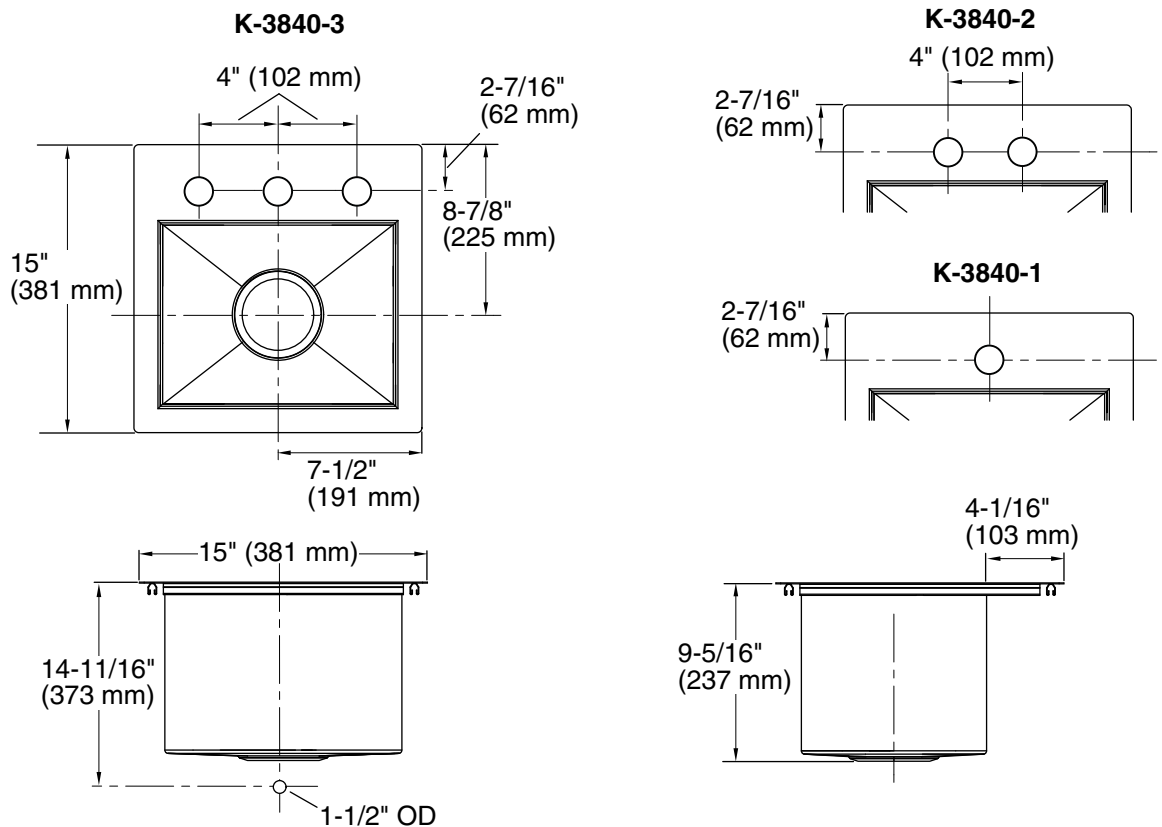
## Technical Information

|   |                                     |
|---|-------------------------------------|
| Fixture*:                                       |                                     |
| Bowl area                                       | 12-1/4" (311 mm) x 9-9/16" (243 mm) |
| Water depth                                     | 9" (229 mm)                         |
| Drain hole                                      | Ø 3-5/8" (92 mm)                    |
| * Approximate measurements for comparison only. |                                     |

|                          |           |
|--------------------------|-----------|
| Included components:     |           |
| Hardware kit – top-mount | 1130570   |
| Cut-out template         | 1161548-7 |

## Installation Notes

Install this product according to the installation guide.



## Product Diagram