

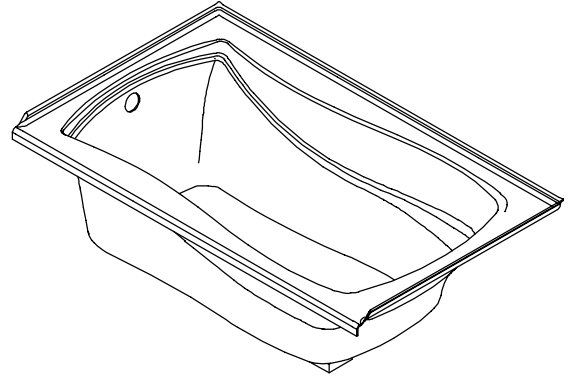
FEATURES

- 66" x 35-7/8" x 20"
- Acrylic
- Left or right outlet
- Optional K-1234 front apron
- Optional K-1491 removable pillow

CODES/STANDARDS APPLICABLE

Specified model meets or exceeds the following:

- ANSI Z124.1
- IAPMO/UPC
- Canadian Standards Association (CSA)
- State of Massachusetts



COLORS/FINISHES

- 0 White
- Other Refer to Fixtures Price Book for additional colors

Accessories:

- CP Polished Chrome
- PB Polished Brass
- Other Refer to Faucets Price Book for additional finishes

SPECIFIED MODEL:

Model	Description	Colors/Finishes	
K-1229-L	Bath with left outlet, integral flange	<input type="checkbox"/> 0 White	<input type="checkbox"/> Other_____
K-1229-R	Bath with right outlet, integral flange	<input type="checkbox"/> 0 White	<input type="checkbox"/> Other_____
K-1229	Bath, drop-in rim style	<input type="checkbox"/> 0 White	<input type="checkbox"/> Other_____

Recommended Accessories			
K-7161-AF	Drain	<input type="checkbox"/> CP	<input type="checkbox"/> PB <input type="checkbox"/> Other_____
Optional Accessories			
K-1234	Apron	<input type="checkbox"/> 0 White	<input type="checkbox"/> Other_____
K-1491	Pillow	<input type="checkbox"/> 0 White	<input type="checkbox"/> Other_____

PRODUCT SPECIFICATION:

The bath shall be 66" in length, 35-7/8" in width, and 20" in height. Bath shall be made of acrylic. Bath shall have left or right outlet. Bath shall have optional K-1234 front apron. Bath shall have optional K-1491 removable pillow. Bath shall be Kohler Model K-1229-_____-_____.

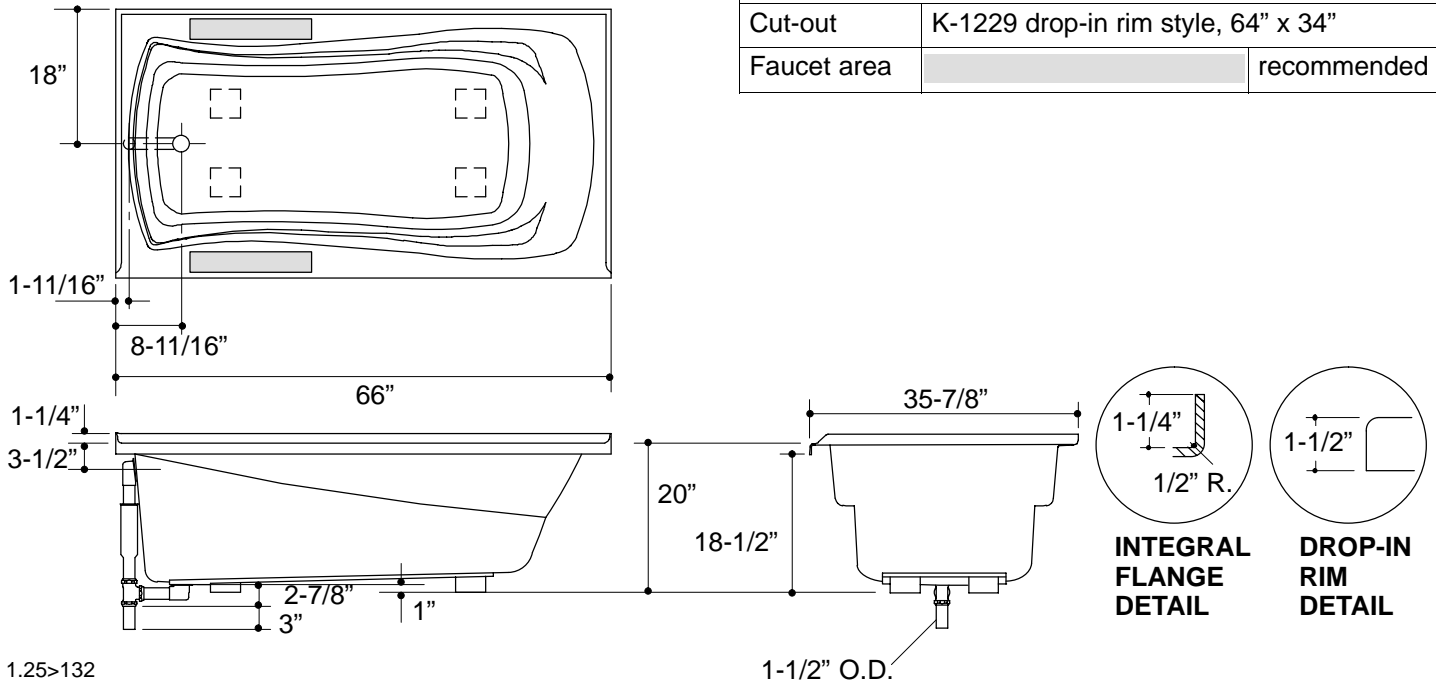
MARIPOSA™

PRODUCT INFORMATION

Fixture*:	basin area	top area	weight
Bathing well	48" x 24"	59" x 30"	65 lbs.
	water depth	capacity	
To overflow	14"	67 gal.	

* Approximate measurements for comparison only.

Roughing-In Notes	
No change in measurements if connected with drain illustrated.	
Cut-out	K-1229 drop-in rim style, 64" x 34"
Faucet area	recommended



PRODUCT DIAGRAM