

Features

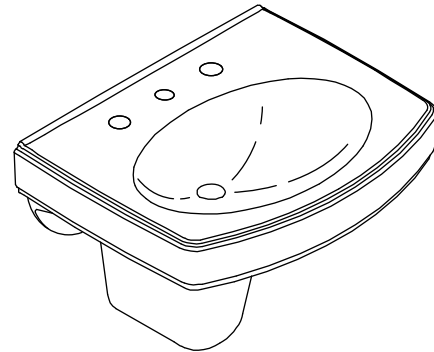
- Vitreous china
- Wall-mount
- With overflow
- 8" (203 mm) centers (-8), 4" (102 mm) centers (-4), or single-hole (-1)
- 22" (559 mm) x 18" (457 mm) x 34" (864 mm)

WALL-MOUNT BATHROOM SINK K-2035

ADA

CSA B651

OBC



Codes/Standards Applicable

Specified model meets or exceeds the following:

- ADA
- ICC/ANSI A117.1
- CSA B651
- OBC
- ASME A112.19.2/CSA B45.1

Colors/Finishes

- 0: White
- Other: Refer to Price Book for additional colors/finishes

Accessories

- CP: Polished Chrome
- Other: Refer to Price Book for additional colors/finishes

Specified Model

Model	Description	Colors/Finishes	
K-2035-8	Bathroom sink with 8" (203 mm) centers	<input type="checkbox"/> 0	<input type="checkbox"/> Other_____
K-2035-4	Bathroom sink with 4" (102 mm) centers	<input type="checkbox"/> 0	<input type="checkbox"/> Other_____
K-2035-1	Bathroom sink with single hole	<input type="checkbox"/> 0	<input type="checkbox"/> Other_____
Recommended Accessories			
K-7605-P	Bathroom sink supplies, 3/8" (pair)	<input type="checkbox"/> CP	<input type="checkbox"/> Other_____
K-8998	P-Trap	<input type="checkbox"/> CP	<input type="checkbox"/> Other_____

Product Specification

The wall-mount bathroom sink shall be made of vitreous china. Bathroom sink shall be 22" (559 mm) in length, 18" (457 mm) in width, and 34" (864 mm) in height. Bathroom sink shall have 8" (203 mm) centers (-8), 4" (102 mm) centers (-4), or single hole (-1). Bathroom sink shall have overflow. Bathroom sink shall be Kohler Model K-2035-_____-_____.

Technical Information

Fixture*:	
Basin area	18" (457 mm) x 12" (305 mm)
Water depth	4" (102 mm)
Drain hole	Ø 1-3/4" (44 mm)
* Approximate measurements for comparison only.	

Holes	K-2035-8	K-2035-4	K-2035-1
Spout	Ø 1-3/8" (35 mm)	Ø 1-1/4" (32 mm)	Ø 1-3/8" (35 mm)
Faucet	Ø 1-3/8" (35 mm)	Ø 1-1/4" (32 mm)	

Included components:	
Bathroom sink, 8" (203 mm) centers	K-2028-8
Bathroom sink, 4" (102 mm) centers	K-2028-4
Bathroom sink, single hole	K-2028-1
Shroud	K-2057
Rubber pads	63069
Hanger	64839
Shroud accessory pack	80265

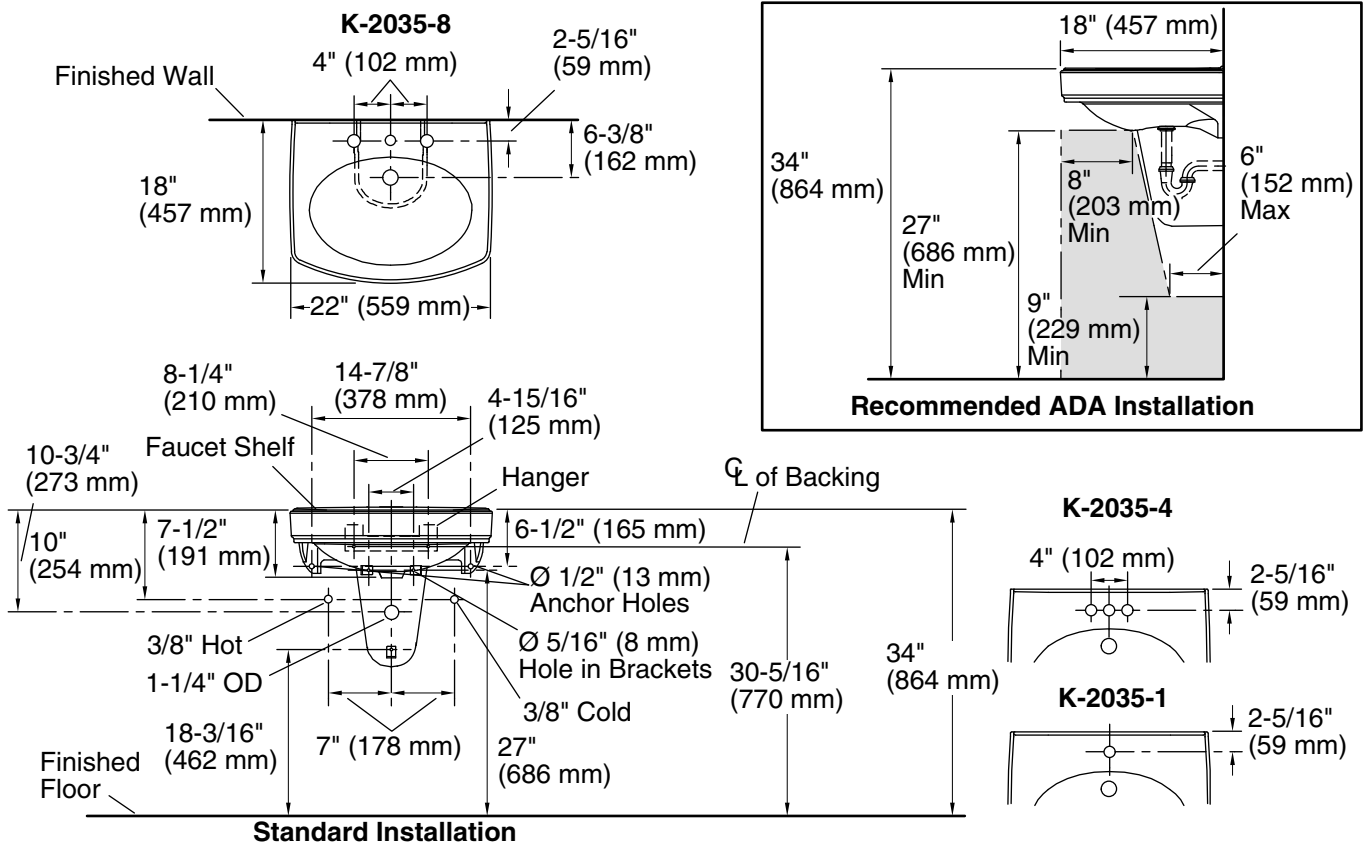
Installation Notes

Install this product according to the installation guide.

Will comply with **ADA** when installed per Section 606 Lavatories of the Act.

Will comply with **CSA B651** when installed per Clause 4.3.3 of the standard.

Will comply with **OBC** when installed per Clause 3.8.3.11.



Product Diagram