

WALL-MOUNT VALVE K-307-K

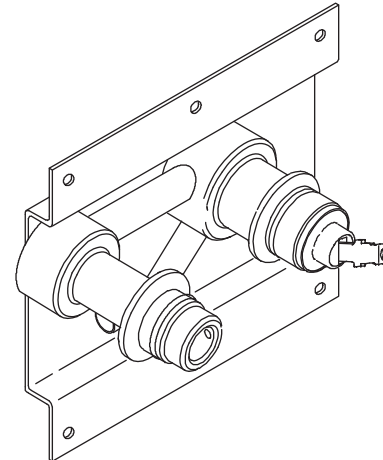
Features

- Brass construction
- Single handle wall-mounting
- One-piece self-contained ceramic disc valve allows both volume and temperature control
- Temperature memory allowing faucet to be turned on and off at any temperature setting
- High-temperature limit stop
- 2.2 gallons (8 L) per minute

Codes/Standards Applicable

Specified model meets or exceeds the following:

- ASME A112.18.1/CSA B125.1
- Energy Policy Act of 2005
- NSF 61



Colors/Finishes

- NA: None applicable

Specified Model

Model	Description	Colors/Finishes
K-307-K	Wall-mount valve	<input type="checkbox"/> NA

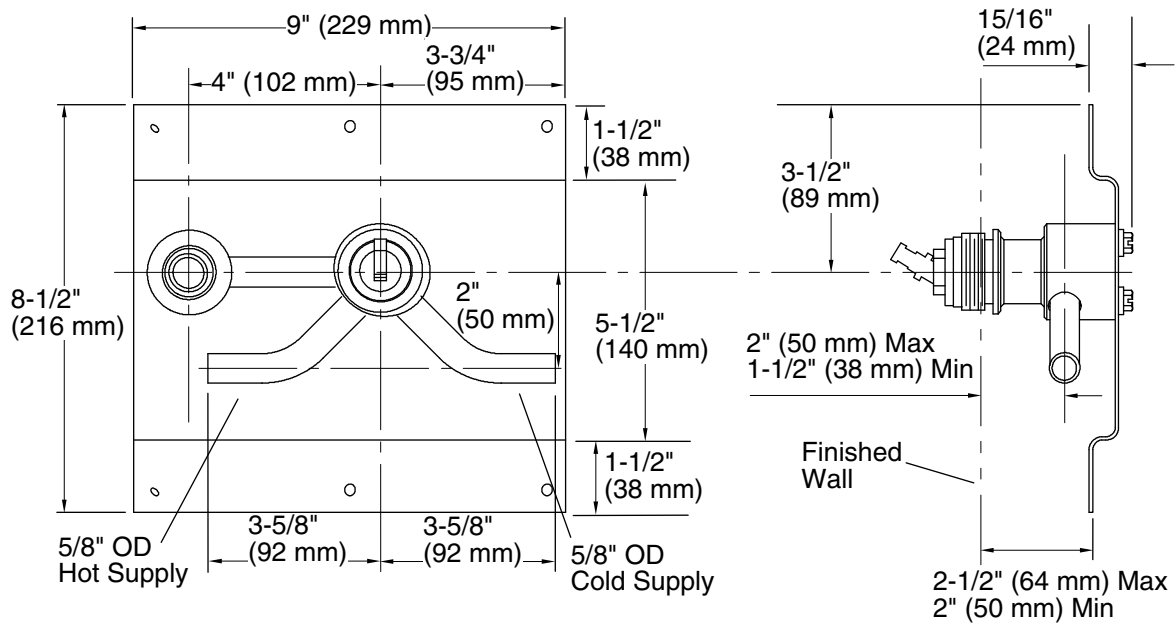
Product Specification

Single handle wall-mount faucet shall be of brass construction. The valve shall be a one-piece, self-contained ceramic disc valve, and allows both volume and temperature control. The valve shall feature temperature memory, allowing the faucet to be turned on and off at any temperature setting, and includes a high-temperature limit stop. Valve shall be Kohler Model K-307-K-NA.

FALLING WATER®

Installation Notes

Install this product according to the installation guide.



Follow the installation dimensions precisely as there is no deep rough-in kit available for this product.

Product Diagram