

Features

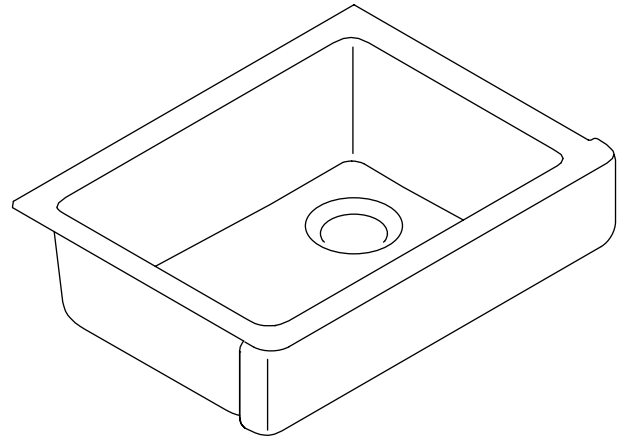
- KOHLER cast iron
- Acid-resistant enamel finish
- Single basin
- Undercounter
- With 6-11/16" (170 mm) Self-Trimming™, integral apron
- Fits a standard 30" (762 mm) sink base cabinet
- 29-1/2" (749 mm) x 21-9/16" (548 mm)

Codes/Standards Applicable

Specified model meets or exceeds the following:

- ASME A112.19.1/CSA B45.2

UNDERCOUNTER SELF-TRIMMING™ APRON FRONT KITCHEN SINK K-6486



Colors/Finishes

- 0: White
- Other: Refer to Price Book for additional colors/finishes

Accessories

- CP: Polished Chrome
- ST: Stainless Steel
- Other: Refer to Price Book for additional colors/finishes

Specified Model

Model	Description	Colors/Finishes		
K-6486	Undercounter Self-Trimming apron front kitchen sink – short apron	<input type="checkbox"/> 0	<input type="checkbox"/> Other_____	
Recommended Accessories				
K-9000	P-Trap	<input type="checkbox"/> CP		
Optional Accessories				
K-6638	Stainless steel bottom basin rack	<input type="checkbox"/> ST		
K-8801	Duostrainer® sink strainer		<input type="checkbox"/> CP	<input type="checkbox"/> Other_____

Product Specification

The kitchen sink shall be made of cast iron with acid-resistant enamel finish. Sink shall be 29-1/2" (749 mm) in length and 21-9/16" (548 mm) in width. Sink shall be for undercounter installation. Sink shall have a single basin with 6-11/16" (170 mm) Self-trimming integral apron. Sink shall fit a standard 30" (762 mm) sink base cabinet. Sink shall be Kohler Model K-6486-_____.

WHITEHAVEN™

Technical Information

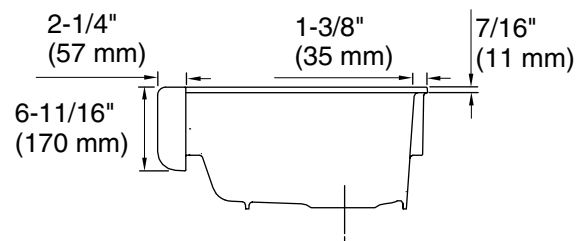
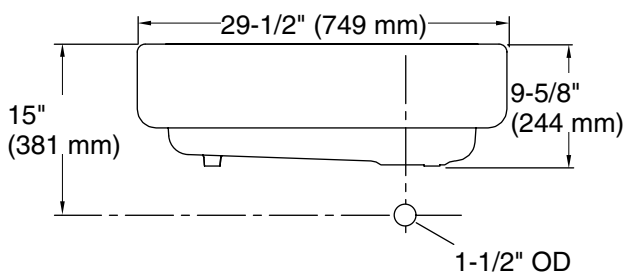
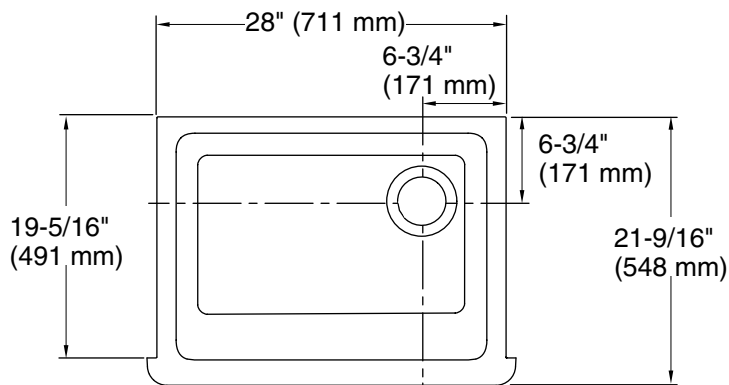
Fixture*	
Basin area	24-3/4" (629 mm) x 18-1/16" (459 mm)
Water depth	9" (229 mm)
Drain hole	Ø 3-5/8" (92 mm)
* Approximate measurements for comparison only.	
Included components:	
Countertop cut-out template	1156909-7

Installation Notes

Install this product according to the installation guide.

IMPORTANT! The distance from the top edge of the cabinet to the top of the cabinet door must be at least 6-7/8" (175 mm) to install this sink.

NOTICE: Countertop manufacturer or cutter must use the cut-out template provided with the product, or a current one provided by Kohler Co. (call 1-800-4-KOHLER). Kohler Co is not responsible for cutout errors when the incorrect cut-out template is used.



Product Diagram