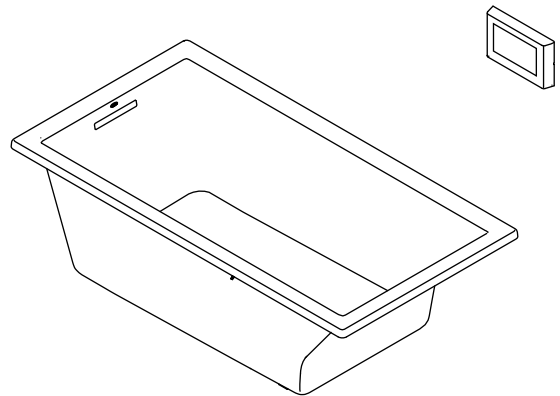


### Features

- Acrylic
- Intuitive high-clarity color touch-screen user interface
- 6 transducers and control amplifier create 3-D surround sound experience
- Under-mount/drop-in style installation
- 17-1/8" (435 mm) deep bathing well
- Available with chromatherapy [-VBC]
- Chromatherapy model is equipped with 4 lights
- User interface mounting plate is included in color CP
- 60" (1524 mm) x 32" (813 mm) x 21" (533 mm)

### 5' VIBRACOUSTIC BATH K-1168-VB ALSO K-1168-VBC



### Codes/Standards Applicable

Specified model meets or exceeds the following:

- CSA B45.5/IAPMO Z124
- UL 1795
- CAN/CSA C22.2 No. 218.2

### Colors/Finishes

- 0: White
- CP: Polished Chrome
- BN: Brushed Nickel
- NA: None applicable
- Other: Refer to Price Book for additional colors/finishes

### Specified Model

Model	Description	Colors/Finishes	
K-1168-VB	5' VibrAcoustic bath	<input type="checkbox"/> 0	<input type="checkbox"/> Other_____
K-1168-VBC	5' VibrAcoustic bath with chromatherapy	<input type="checkbox"/> 0	<input type="checkbox"/> Other_____
<b>Required Accessories</b>			
K-7271	Clearflo slotted overflow brass bath drain <b>OR</b>	<input type="checkbox"/> CP	<input type="checkbox"/> Other_____
K-7272	Clearflo slotted overflow bath drain – PVC pipe	<input type="checkbox"/> CP	<input type="checkbox"/> Other_____
<b>Optional Accessories</b>			
K-590	Under-mount kit		<input type="checkbox"/> NA
K-1491	Pillow	<input type="checkbox"/> 0	<input type="checkbox"/> Other_____
K-1601	Footstop	<input type="checkbox"/> 0	<input type="checkbox"/> Other_____
1172315	VibrAcoustic interface mounting plate		<input type="checkbox"/> BN

### Product Specification

The acrylic vibracoustic bath shall be 60" (1524 mm) in length, 32" (813 mm) in width, and 21" (533 mm) in height. Bath shall feature intuitive high-clarity color touch-screen user interface and 6 transducers and control amplifier, which create 3-D surround sound experience. Bath shall be available with chromatherapy [-VBC], which is equipped with 4 lights. Bath shall be available with under-mount or drop-in style installation. Bath shall have a 17-1/8" (435 mm) deep bathing well. The user interface mounting plate shall be included in color CP. Bath shall be Kohler Model K-1168-\_\_\_\_-\_\_\_\_.

# UNDERSCORE®

## Technical Information

Fixture*:	
Bathing well:	
Basin area, bottom	42" (1067 mm) x 23-1/2" (597 mm)
Basin area, top	55-1/8" (1400 mm) x 27-1/8" (689 mm)
Weight	80 lbs (36.3 kg)
To overflow:	
Water depth	17-1/8" (435 mm)
Capacity	81 gal (306.6 L)
* Approximate measurements for comparison only.	
Drop-in cut-out	59-1/2" (1511 mm) x 31-1/2" (800 mm)
Amplifier/control:	Power per channel (rms) W    V    Hz
	15                                    120    50/60

## Required Electrical Service

Dedicated circuit required, protected with Class A Ground-Fault Circuit-Interrupter (GFCI) or Residual Current Device (RCD):

Amplifier/control: 120 V, 15 A, 50/60 Hz

## Installation Notes

Install this product according to the installation guide.

The bath is intended for under-mount/drop-in installation.

Control amplifier fits 16" (406 mm) center studs.

A grounded outlet within the wall framing must be within 24" (610 mm) of the planned control amplifier.

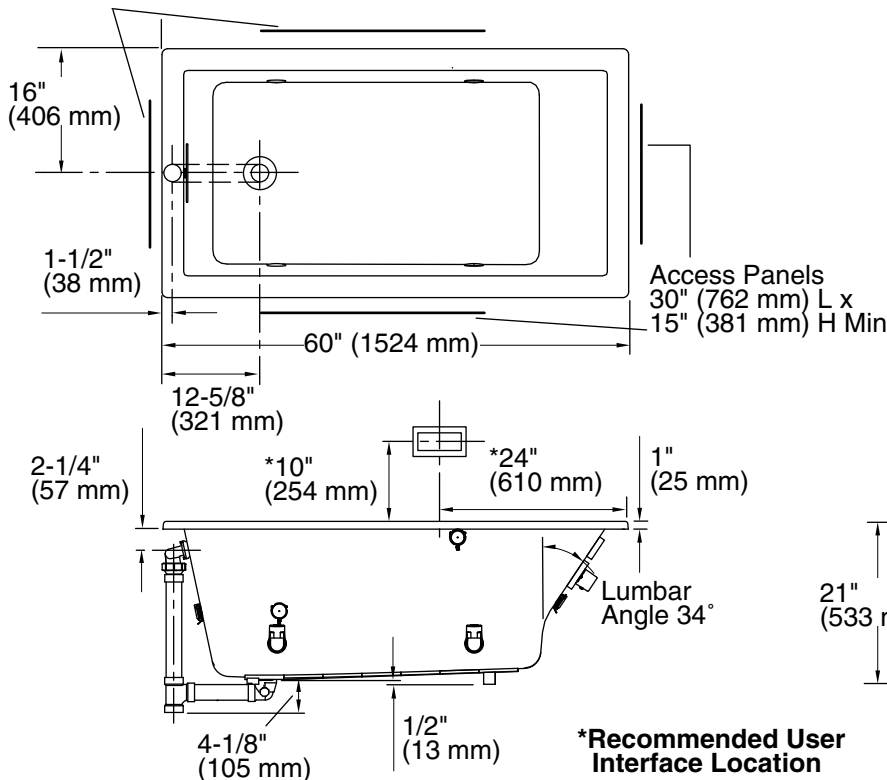
Cables are included, 25' (7.6 m) each.

Four access panels are required for servicing the bath.

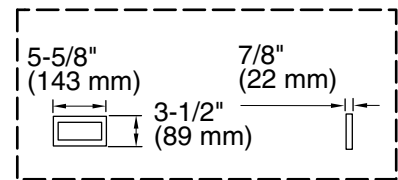
Floor support under bath must provide for a minimum of 58.6 lbs/square foot (286 kg/square meter) loading.

Hot water supply should be 70% of capacity or greater. Installations will vary.

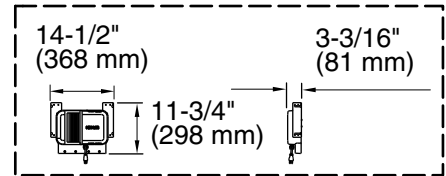
Access Panels  
30" (762 mm) L x 15" (381 mm) H Min



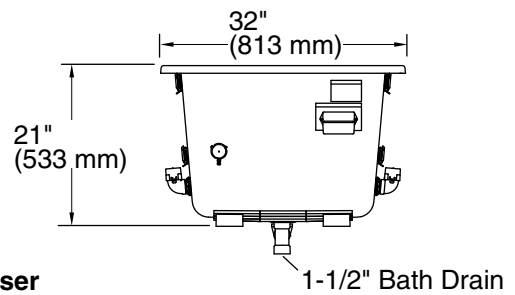
No change in measurement if connected with drain illustrated. (K-7272)



User Interface



Control Amplifier



## Product Diagram