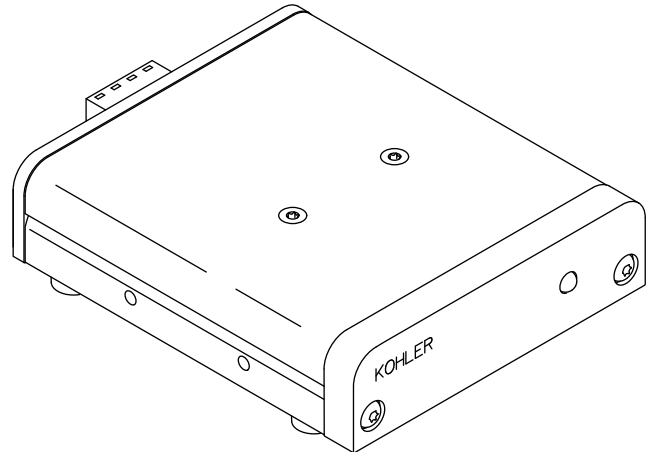


AMPLIFIER K-752

Features

- BLUETOOTH® connectivity for wireless streaming of audio input
- 3.5 mm input jack for wired audio input
- Compact size
- Installation flexibility: shelf-mount, cabinet-mount, under-mount, or wall-mount
- Mounting brackets included
- Screw terminals for fastwire speaker hook up
- Compatible with KOHLER SoundTile® water resistant speakers
- Works with any 4 or 8 ohm speakers
- Power supply with universal plug-in adapters for USA, UK, EU, SAA
- A 69" (1753 mm) power cord provided with power supply



Codes/Standards Applicable

Specified model meets or exceeds the following:

- FCC Part 15
- ICES-003

Colors/Finishes

- NA: None applicable

Accessories

- CP: Polished Chrome
- Other: Refer to Price Book for additional colors/finishes

Specified Model

Model	Description	Colors/Finishes
K-752	Amplifier	<input type="checkbox"/> NA
Recommended Accessories		
K-8033	SoundTile speakers (2-speaker kit)	<input type="checkbox"/> CP <input type="checkbox"/> Other

Product Specification

Amplifier shall have BLUETOOTH connectivity for wireless streaming of audio input. Amplifier shall be compact size. Amplifier shall be shelf-mounted, cabinet-mounted, under-mounted or wall-mounted. The amplifier shall include mounting brackets. The amplifier shall provide screw terminals for fastwire speaker hook up. Amplifier shall be compatible with KOHLER SoundTile water resistant speakers. Amplifier shall work with any 4 or 8 ohm speakers. Amplifier shall have power supply with universal plug-in adapters for USA, UK, EU, SAA. Amplifier shall have a 69" (1753 mm) power cord provided with power supply. Amplifier shall be Kohler Model K-752-_____.

Technical Information

Ambient Temperature	Max 104°F (40°C)
Maximum Relative Humidity	90% non-condensing
Electrical Service	100-240 VAC, 50-60 Hz, 1.2 A Max
Power Cable Length	69" (1753 mm)
Output Power	20 Watts x 2 into 4 Ohms
Frequency Response	20 Hz - 18 kHz +/- 3dB
Signal to Noise	65 dB
Total Harmonic Distortion	<0.1% at 1 Watt, <1% at full output power
BLUETOOTH® wireless range	30 ft (9.1 m)
Input Jack	3.5 mm

Connects up to 4 speakers.
Refer to installation guide for wiring.

4 ohm	in series
-------	-----------

8 ohm	in parallel
-------	-------------

Speaker Wire Diameter (not included)	Accepts 10-18 AWG Max
--------------------------------------	-----------------------

The BLUETOOTH® word mark and logos are registered trademarks owned by Bluetooth SIG, Inc. and any use of such marks by Kohler Co. is under license. Other trademarks and trade names are those of their respective owners.

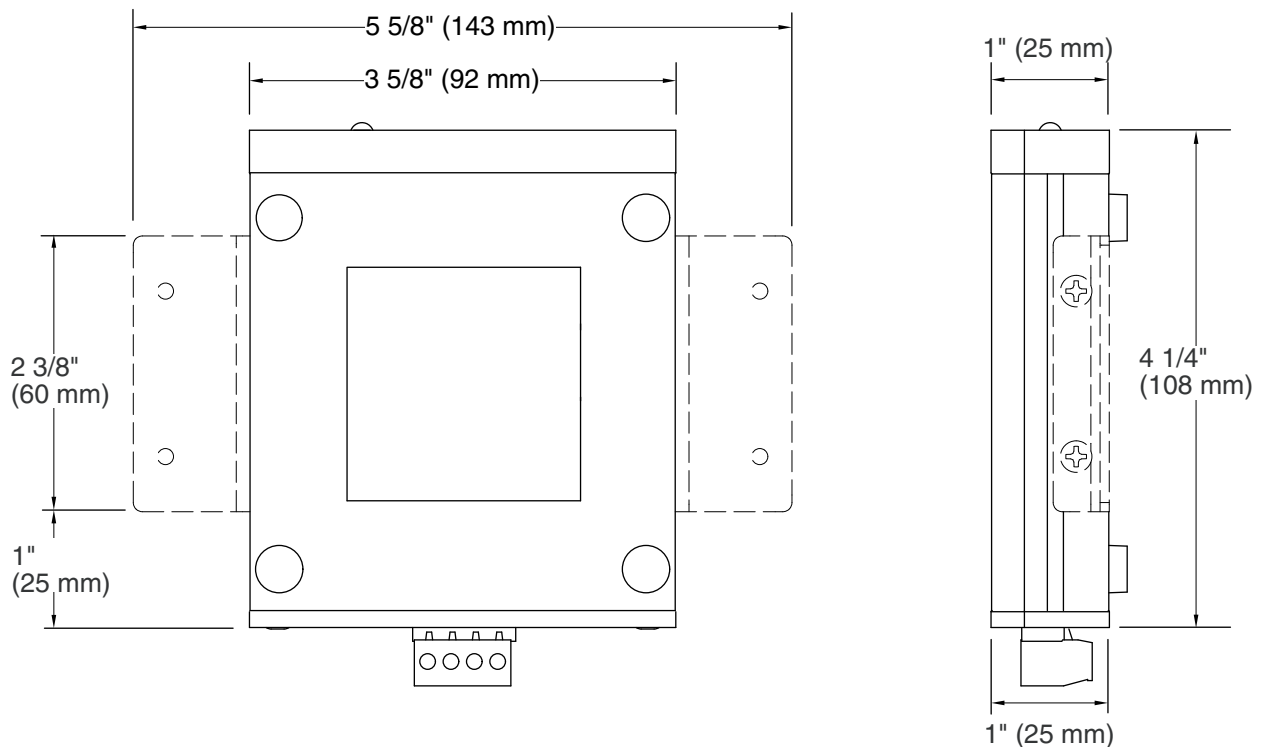
Installation Notes

Install this product according to the installation guide.

Follow local building electrical codes.

Locate the amplifier within close proximity of a 120 V, 15 A electrical outlet. A GFCI outlet may be required in certain applications.

A BLUETOOTH wireless device is required to stream music.



Product Diagram