

### Features

- Acrylic
- Drop-in or under-mount installation
- Molded heated lumbar support
- Three temperature settings
- 60" (1524 mm) x 30" (762 mm) x 19" (483 mm)

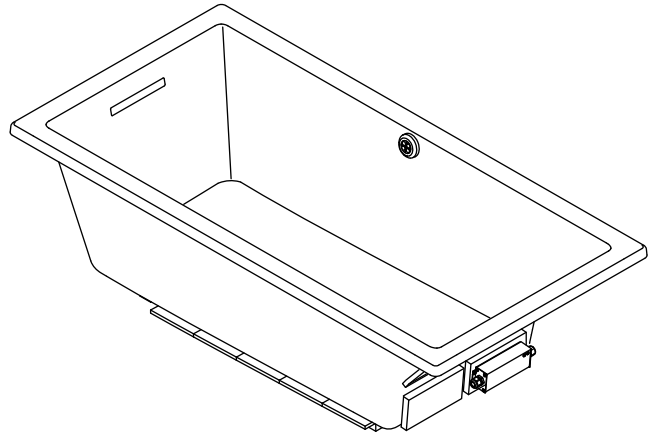
### 5' DROP-IN BATH BASK™ WITH HEATED SURFACE K-1121-W1

ADA

### Codes/Standards Applicable

Specified model meets or exceeds the following:

- ADA
- ICC/ANSI A117.1
- ASME A112.19.7
- CSA B45.5/IAPMO Z124
- ASTM E162
- ASTM E662
- UL 1795



### Colors/Finishes

- 0: White
- Other: Refer to Price Book for additional colors/finishes

### Accessories

- 0: White
- CP: Polished Chrome
- PB: Vibrant® Polished Brass
- Other: Refer to Price Book for additional colors/finishes

### Specified Model

Model	Description	Colors/Finishes	
K-1121-W1	5' drop-in bath Bask with heated surface	<input type="checkbox"/> 0	<input type="checkbox"/> Other_____
<b>Required Accessories</b>			
K-7271	Clearflo slotted overflow brass bath drain <b>OR</b>	<input type="checkbox"/> CP	<input type="checkbox"/> Other_____
K-7272	Clearflo slotted overflow bath drain – PVC pipe	<input type="checkbox"/> CP	<input type="checkbox"/> Other_____
<b>Optional Accessories</b>			
K-531	Under-mount kit		<input type="checkbox"/> NA
K-1491	Pillow	<input type="checkbox"/> 0	<input type="checkbox"/> Other_____
K-1601	Footstop	<input type="checkbox"/> 0	<input type="checkbox"/> Other_____

### Product Specification

The acrylic bath with heated surface shall be 60" (1524 mm) in length, 30" (762 mm) in width, and 19" (483 mm) in height. Bath shall be for drop-in or under-mount installation. Bath shall have molded heated lumbar support. Bath shall have three temperature settings. Bath shall be Kohler Model K-1121-W1-\_\_\_\_\_.

# UNDERScore®

## Technical Information

Fixture*:				
Bathing well:				
Basin area, bottom	42-3/8" (1076 mm) x 20" (508 mm)			
Basin area, top	54-3/8" (1381 mm) x 24-5/16" (618 mm)			
Weight	71 lbs (32.2 kg)			
To overflow:				
Water depth	15-1/16" (383 mm)			
Capacity	59.8 gal (226 L)			
* Approximate measurements for comparison only.				
Drop-in cut-out				
59-1/2" (1511 mm) x 28-1/2" (724 mm)				
Heater:	W	V	HZ	A
	65	120	60	1.1

## Installation Notes

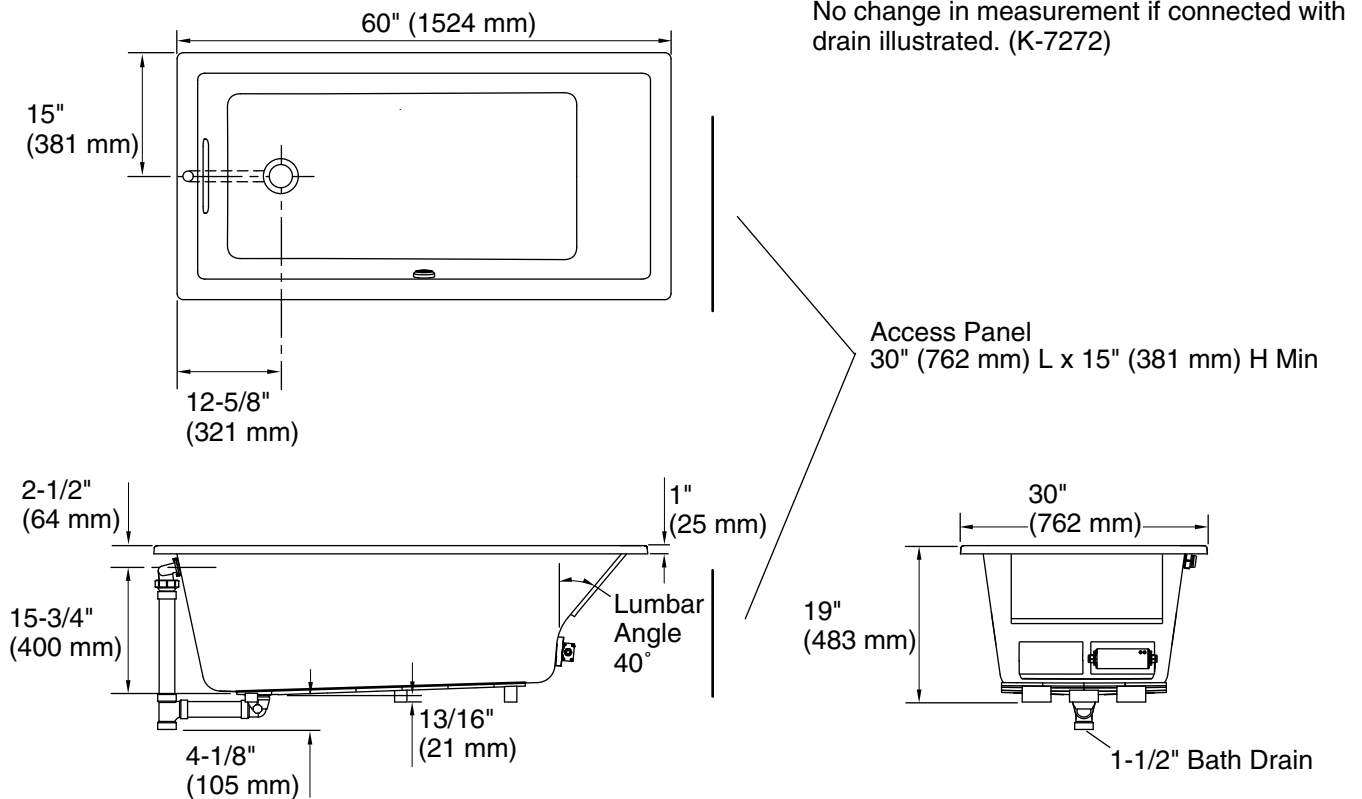
Install this product according to the installation guide.

Locate the bath within 24" (610 mm) of a GFCI-protected, 120 V, 15 A, grounded electrical outlet.

Will comply with **ADA** when installed per Section 607 Bathtubs of the Act.

Floor support under bath must provide for a minimum of 50 lbs/square foot (242 kg/square meter) loading.

Hot water supply should be 70% of capacity or greater. Installations will vary.



## Product Diagram