

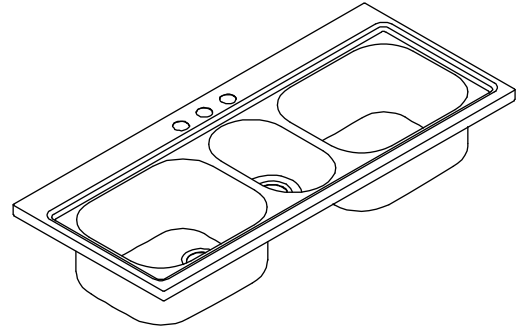
Features

- 18-gauge stainless steel
- Flush-mount
- Triple bowl sink with two equal bowls and smaller central disposal bowl
- 3-hole
- Includes installation hardware
- 60" (1524 mm) x 25-3/4" (654 mm)

Codes/Standards Applicable

Specified model meets or exceeds the following:

- ASME A112.19.3/CSA B45.4



Colors/Finishes

- NA: None applicable

Accessories

- NA: None applicable
- CP: Polished Chrome

Specified Model

Model	Description	Colors/Finishes
K-3328-3	Sink – 3-hole	<input type="checkbox"/> NA
Recommended Accessories		
K-6330	ProMaster™ faucet	<input type="checkbox"/> CP
K-9000	P-Trap (3 traps recommended)	<input type="checkbox"/> CP
Available Accessories		
K-2989	Countertop cutting board	<input type="checkbox"/> NA
K-8813	Stainless steel sink strainer	<input type="checkbox"/> CP

Product Specification

The 3-hole flush-mount sink shall be 60" (1524 mm) in length and 25-3/4" (654 mm) in width. Sink shall be made of 18 gauge stainless steel. Sink shall feature a triple compartment with two equal bowls and one smaller center disposal bowl. Sink shall include installation hardware. Sink shall be Kohler Model K-3328-3-NA.

PRO TASKCENTER™

Technical Information

Fixture*:	Bowl area	Water depth
Sink, left	21" (533 mm) x 18" (457 mm)	9-1/4" (235 mm)
Disposal	11" (279 mm) x 18" (457 mm)	5-1/4" (133 mm)
Sink, right	21" (533 mm) x 18" (457 mm)	9-1/4" (235 mm)
Drain holes	Ø 3-5/8" (92 mm)	
Faucet holes	Ø 1-3/8" (35 mm)	

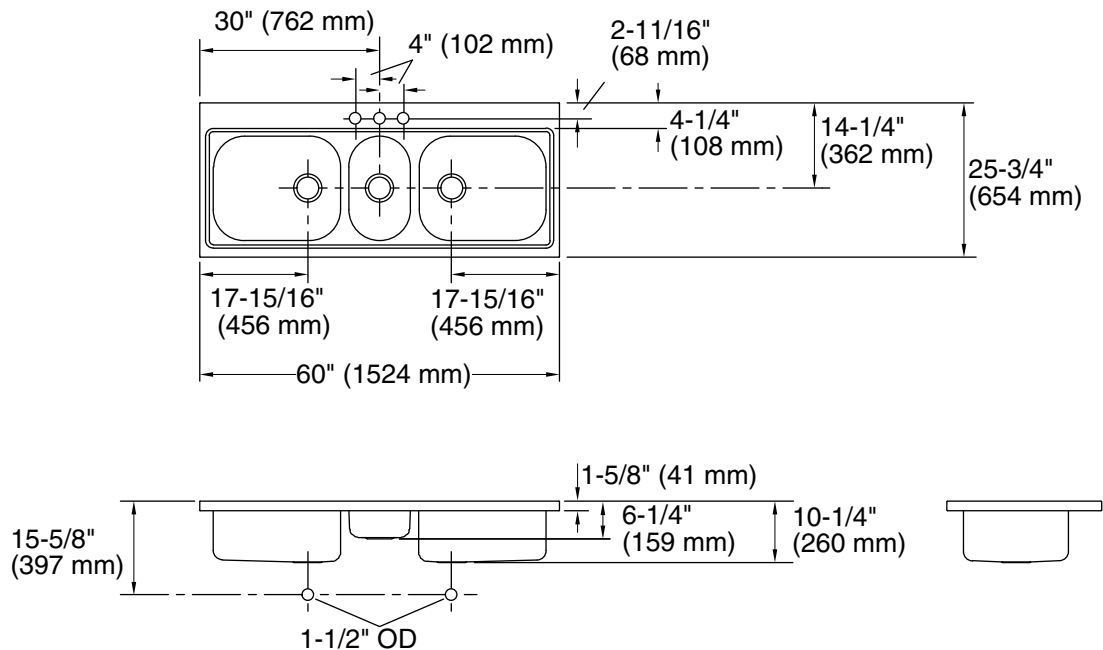
* Approximate measurements for comparison only.

Included components:	
Installation hardware	87357
Cutting board	87365
Wire rack	87366
Wire basket	87360
Bowl accessory	87367-96

Installation Notes

Install this product according to the installation guide.

For the disposal unit, consult the supplier for roughing-in measurements.



Product Diagram