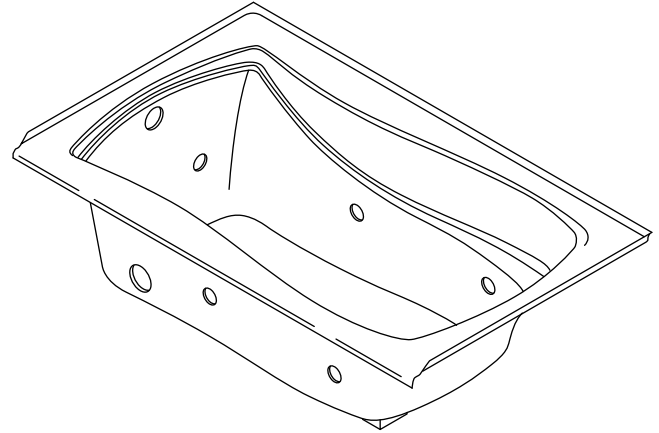


CUSTOM BATH WHIRLPOOL K-1239-CB

Features

- Acrylic
- Drop-in
- 5 individually adjustable ProFlex® hydro-massage jets
- Pump with air switch and grounding-type plug-in cord
- Optional K-9695 metal finish 5 jet trim kit
- Optional K-1278 removable apron
- 60" (1524 mm) x 36" (914 mm) x 20" (508 mm)



Codes/Standards Applicable

Specified model meets or exceeds the following:

- ASME A112.19.7
- UL 1795
- CSA B45.5/IAPMO Z124

Colors/Finishes

- 0: White
- Other: Refer to Price Book for additional colors/finishes

Accessories

- CP: Polished Chrome
- PB: Vibrant® Polished Brass
- Other: Refer to Price Book for additional colors/finishes

Specified Model

Model	Description	Colors/Finishes		
K-1239-CB	Custom bath whirlpool – drop-in	<input type="checkbox"/> 0	<input type="checkbox"/> Other_____	
Recommended Accessories				
K-7161-AF	Adjustable pop-up drain with tailpiece	<input type="checkbox"/> CP	<input type="checkbox"/> PB	<input type="checkbox"/> Other_____
Optional Accessories				
K-1278	Removable apron	<input type="checkbox"/> 0		<input type="checkbox"/> Other_____
K-9695	Metal finish 5 jet trim kit		<input type="checkbox"/> CP <input type="checkbox"/> PB	<input type="checkbox"/> Other_____

Product Specification

The acrylic bath whirlpool shall be 60" (1524 mm) in length, 36" (914 mm) in width, and 20" (508 mm) in height. Bath whirlpool shall be for drop-in installation. Bath whirlpool shall have 5 individually adjustable ProFlex® hydro-massage jets, a pump with air switch and grounding-type plug-in cord. Bath whirlpool shall be available with an optional K-1278 removable apron and an optional K-9695 metal finish 5 jet trim kit. Bath whirlpool shall be Kohler Model K-1239-CB-_____.

MARIPOSA®

Technical Information

Fixture*:			
Bathing well:			
Basin area, bottom	46" (1168 cm) x 24" (610 mm)		
Basin area, top	54" (1372 mm) x 27" (686 mm)		
Weight	105 lbs (47.6 kg)		
To overflow:			
Water depth	14" (356 mm)		
Capacity	63 gal (238.5 L)		
* Approximate measurements for comparison only.			
Drop-in cutout: 58" (1473 mm) x 34" (864 mm)			
Pump:	V	Hz	A
1-speed	120	60	7.5

Required Electrical Service

Dedicated circuit required, protected with Class A Ground-Fault Circuit-Interrupter (GFCI):	
Pump/control	120 V, 15 A, 60 Hz
Locate the outlet behind the whirlpool and within 24" (610 mm) of the pump.	

Installation Notes

Install this product according to the installation guide.

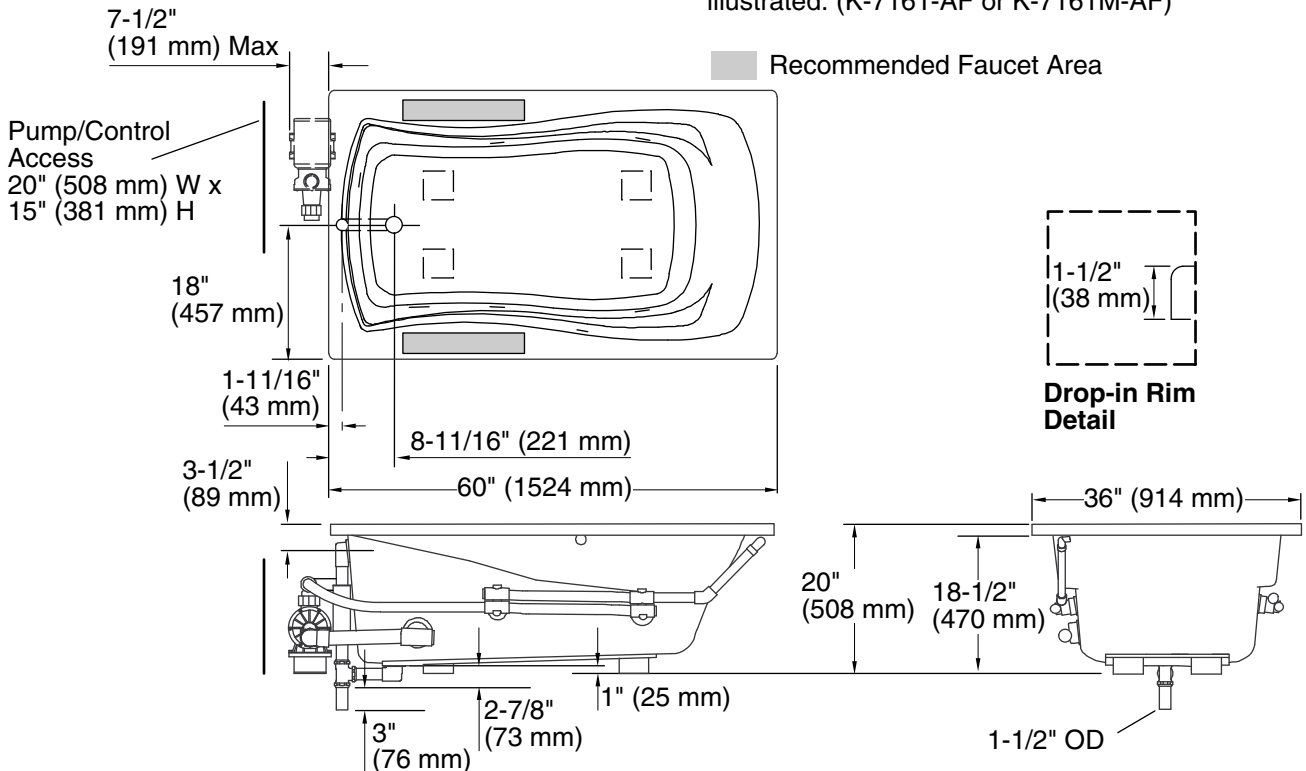
Floor support under whirlpool must provide for a minimum of 44 lbs/square foot (214 kg/square meter) loading.

If installing a rim-mount faucet, make sure there is no interference with the drain overflow and circulating system before drilling any holes. If installing a spout on the faucet deck, consult local and national codes for minimum air gap requirements.

The apron must be installed before the finished floor and wall materials are installed.

Pump must be relocated to custom position at the time of installation. Provide adequate clearance.

No change in measurements if connected with drain illustrated. (K-7161-AF or K-7161M-AF)



Product Diagram