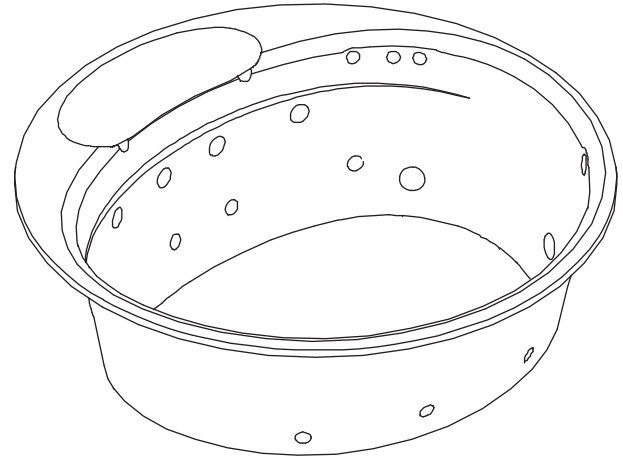


66" BATH WHIRLPOOL K-1394-H2 ALSO K-1394-H3

Features

- Acrylic
- Two variable speed pumps with back-lit user control and remote control
- 4 kW heater (on separate electrical service)
- 8 Flexjet™ whirlpool jets
- Waterfall
- 4 Riverjets
- 4 chromatherapy lights (H2 model only)
- Air aspiration "On/Off" feature
- Less all trim
- One large pillow and two small pillows
- 66" (1676 mm) D. x 25" (635 mm) high (27-1/2" (699 mm) high with pillow)



Codes/Standards Applicable

Specified model meets or exceeds the following:

- ASME A112.19.7
- UL 1795
- CSA B45.5/IAPMO Z124
- ASTM E162
- ASTM E662

Colors/Finishes

- 0: White
- Other: Refer to Price Book for additional colors/finishes

Accessories

- CP: Polished Chrome
- PB: Vibrant® Polished Brass
- Other: Refer to Price Book for additional colors/finishes

Specified Model

Model	Description	Colors/Finishes	
K-1394-H2	Bath whirlpool with chromatherapy lights	<input type="checkbox"/> 0	<input type="checkbox"/> Other_____
K-1394-H3	Bath whirlpool less chromatherapy lights	<input type="checkbox"/> 0	<input type="checkbox"/> Other_____

Required Accessories

K-9398	Flexjet trim kit	<input type="checkbox"/> CP	<input type="checkbox"/> PB	<input type="checkbox"/> Other_____
--------	------------------	-----------------------------	-----------------------------	-------------------------------------

Recommended Accessories

K-7167	Clearflo pop-up bath drain	<input type="checkbox"/> CP	<input type="checkbox"/> PB	<input type="checkbox"/> Other_____
--------	----------------------------	-----------------------------	-----------------------------	-------------------------------------

Product Specification

The acrylic bath whirlpool shall be 66" (1676 mm) in diameter, and 25" (635 mm) in height [27-1/2" (699 mm) in height with pillow]. Product shall have 8 Flexjets, 4 Riverjets, and 4 chromatherapy lights (H2 model only) Product shall have waterfall, 4 kW heater, two variable speed pumps with back-lit user control and remote control. Product shall be UL listed and less all trim. Product shall have air aspiration "On/Off" feature, one large pillow and two small pillows. Bath whirlpool shall be Kohler Model K-1394-_____-_____.

RIVERBATH®

Technical Information

Fixture*:	
Bathing well:	
Basin area	54-1/2" (1384 mm) x 44" (1118 mm)
Top area	61-5/8" (1565 mm) x 54-1/2" (1384 mm)
Weight	260 lbs (118 kg)
To overflow:	
Water depth	19" (483 mm)
Capacity	196 gal (742 L)
* Approximate measurements for comparison only.	

Pump: (Qty. 2)	V	Hz	A
Variable speed:	240	50/60	18

Included components:	
Cut-out template	1006705-7

Required Electrical Service

Dedicated circuit required, protected with Class A Ground-Fault Circuit-Interrupter (GFCI) or Residual Current Device (RCD):	
Pump/control	220-240 V, 20 A, 50/60 Hz
Heater	220-240 V, 20 A, 50/60 Hz, 4 kW

Installation Notes

NOTE: Pump protrusion beyond rim.

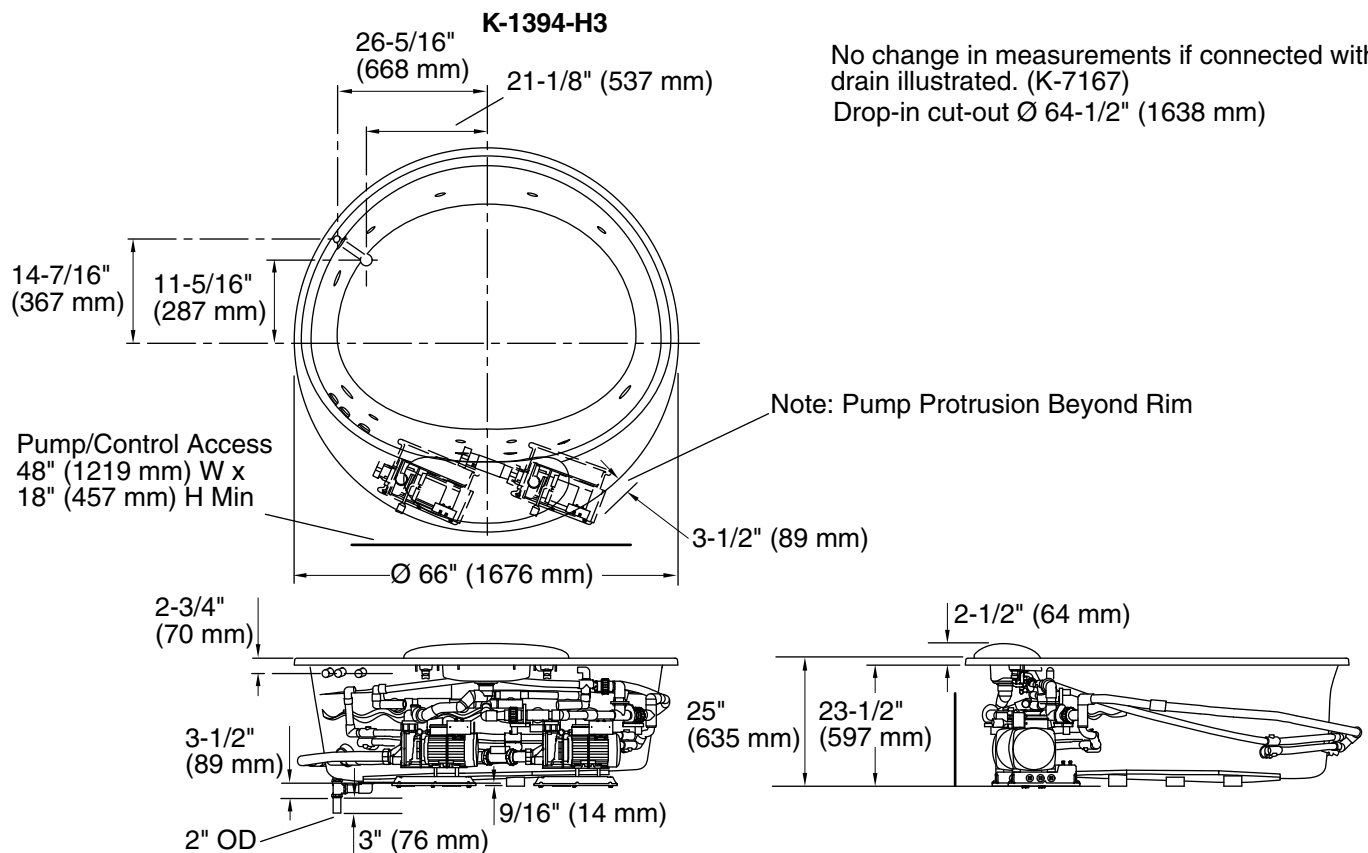
Install this product according to the installation guide.

Two separate 240 V electrical services required; one for the pump/control, and another for the heater.

Floor support under whirlpool must provide for a minimum of 54 lbs/square foot (264 kg/square meter) loading.

Hot water supply should be 70% of capacity or greater. Installations will vary.

If installing a rim-mount faucet, make sure there is no interference with drain overflow and circulating system before drilling any holes. Consult local and national codes for minimum air gap requirements if installing a spout on the faucet deck.



Product Diagram