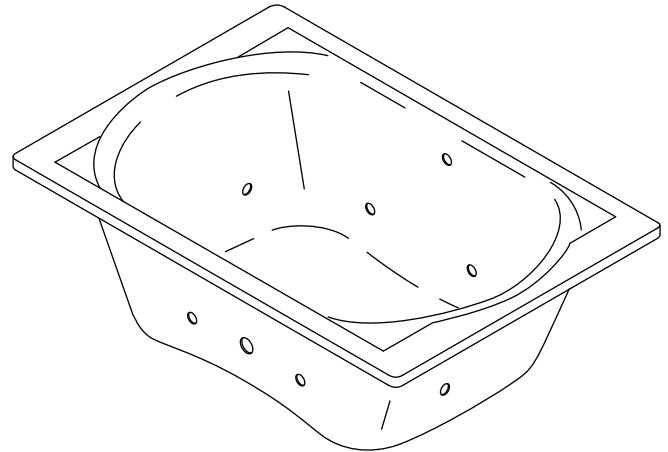


### Features

- Acrylic
- Variable speed pump with 1.5 kW heater and back-lit user keypad
- 8 Flexjet™ whirlpool jets
- Less all trim
- 72" (1829 mm) x 42" (1067 mm) x 22" (559 mm)

### 6' BATH WHIRLPOOL K-1418-H2



### Codes/Standards Applicable

Specified model meets or exceeds the following:

- ASME A112.19.7
- UL 1795
- CSA B45.5/IAPMO Z124
- ASTM E162
- ASTM E662

### Colors/Finishes

- 0: White
- Other: Refer to Price Book for additional colors/finishes

### Accessories

- 0: White
- CP: Polished Chrome
- PB: Vibrant® Polished Brass
- NA: None applicable
- Other: Refer to Price Book for additional colors/finishes

### Specified Model

Model	Description	Colors/Finishes		
K-1418-H2	6' bath whirlpool	<input type="checkbox"/> 0	<input type="checkbox"/> Other_____	
<b>Required Accessories</b>				
K-9698	Jet trim kit	<input type="checkbox"/> CP	<input type="checkbox"/> PB	<input type="checkbox"/> Other_____
<b>Recommended Accessories</b>				
K-7161-AF	Pop-up bath drain	<input type="checkbox"/> CP	<input type="checkbox"/> PB	<input type="checkbox"/> Other_____
<b>Optional Accessories</b>				
K-1491	Pillow	<input type="checkbox"/> 0	<input type="checkbox"/> Other_____	
K-1601	Footstop	<input type="checkbox"/> 0	<input type="checkbox"/> Other_____	
K-1703	Remote control	<input type="checkbox"/> NA		

### Product Specification

The acrylic bath whirlpool shall be 72" (1829 mm) in length, 42" (1067 mm) in width, and 22" (559 mm) in height. Product shall have 8 Flexjets™, a variable-speed pump with 1.5 kW heater, and back-lit user keypad. Bath whirlpool shall be less all trim. Bath whirlpool shall be Kohler Model K-1418-H2-\_\_\_\_\_.

# MEMOIRS®

## Technical Information

Fixture*:				
Basin area:				
Bathing well	48" (1219 mm) x 27" (686 mm)			
Top area	60" (1524 mm) x 30" (762 mm)			
Weight	140 lbs (63.5 kg)			
To overflow:				
Water depth	16" (406 mm)			
Capacity	94 gal (355.8 L)			
* Approximate measurements for comparison only.				
Drop-in cut-out		70-1/2" (1791 mm) x 40-1/2" (1029 mm)		
Pump:	kW	V	Hz	A
Variable-speed:	1.5	240	50/60	11

## Required Electrical Service

Dedicated circuit required, protected with Class A Ground-Fault Circuit-Interrupter (GFCI) or Residual Current Device (RCD):

Pump/control	220/240 V, 20 A, 50/60 Hz
--------------	---------------------------

## Installation Notes

Install this product according to the installation guide.

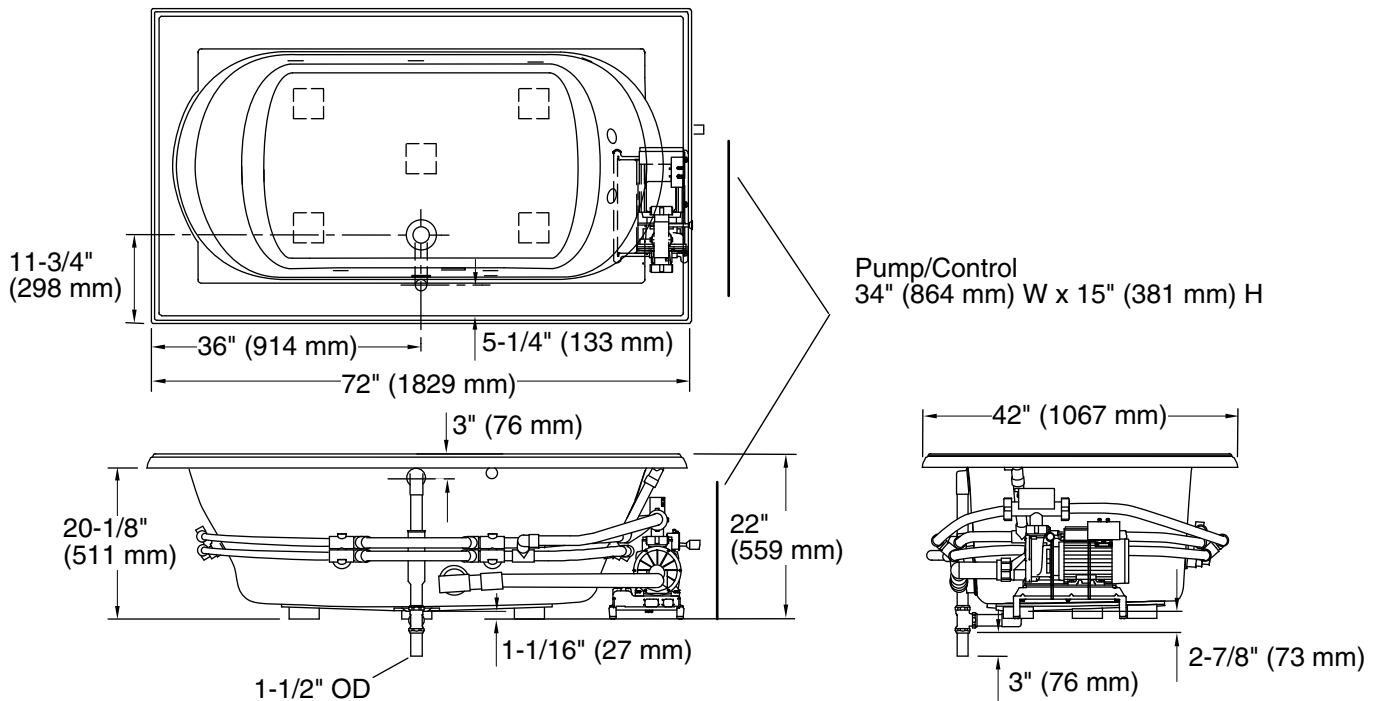
Floor support under whirlpool must provide for a minimum of 43 lbs/square foot (209 kg/square meter) loading.

Hot water supply should be 70% of capacity or greater. Installations will vary.

If installing a rim-mount faucet, make sure there is no interference with drain overflow and circulating system before drilling any holes. Consult local and national codes for minimum air gap requirements if installing a spout on the faucet deck.

This whirlpool is designed for drop-in installation only. It is not suited for use in a three-wall alcove with an overhead shower.

No change in measurements if connected with drain illustrated. (K-7161-AF or K-7161M-AF)



## Product Diagram