

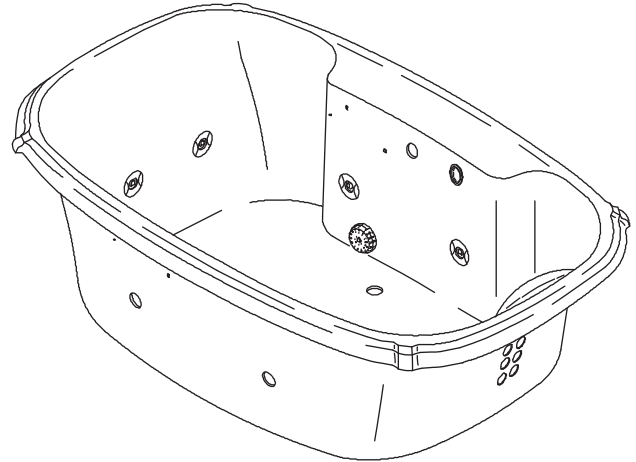
Features

- Acrylic
- 6 Flexjets™
- Ten color-matched sequencing Bodyssage™ backjets
- Two pulsating neckjets with pillow
- 240 V, 20 A electrical service
- Drilled for required grab bars
- Color-matched jet trim included
- Coordinating Portrait® Suite
- Variable speed pump with 1.5 kW heater, back-lit user keypad, and remote control
- 67" (1702 mm) x 42" (1067 mm) x 22" (559 mm)

5.5' MASSAGE EXPERIENCE BATH WHIRLPOOL

K-1457-LM

ALSO K-1457-RM



Codes/Standards Applicable

Specified model meets or exceeds the following:

- CSA B45.5/IAPMO Z124
- ASME A112.19.7
- CSA B45.10
- CSA C22.2 No 218.2
- UL 1795
- ASTM E162
- ASTM E662

Colors/Finishes

- 0: White
- Other: Refer to Price Book for additional colors/finishes

Accessories

- CP: Polished Chrome
- PB: Vibrant® Polished Brass

Specified Model

Model	Description	Colors/Finishes	
K-1457-LM	5.5 Massage Experience bath whirlpool – pump at left (shown)	<input type="checkbox"/> 0	<input type="checkbox"/> Other_____
K-1457-RM	5.5 Massage Experience bath whirlpool – pump at right	<input type="checkbox"/> 0	<input type="checkbox"/> Other_____

Required Accessories

K-9653	Grab bars – pair	<input type="checkbox"/> CP	<input type="checkbox"/> PB	<input type="checkbox"/> Other_____
--------	------------------	-----------------------------	-----------------------------	-------------------------------------

Recommended Accessories

K-7161-AF	Adjustable pop-up drain	<input type="checkbox"/> CP	<input type="checkbox"/> PB	<input type="checkbox"/> Other_____
K-T15880/K-15708	Coralais® base faucet (requires handle kit) OR	<input type="checkbox"/> CP	<input type="checkbox"/> PB	<input type="checkbox"/> Other_____
K-T15881/K-15708	Coralais base faucet (requires handle kit) OR	<input type="checkbox"/> CP	<input type="checkbox"/> PB	<input type="checkbox"/> Other_____
K-T16122/K-300-K	Revival® faucet	<input type="checkbox"/> CP	<input type="checkbox"/> PB	<input type="checkbox"/> Other_____

Product Specification

The acrylic bath whirlpool shall be 67" (1702 mm) in length, 42" (1067 mm) in width, and 22" (559 mm) in height. Bath whirlpool shall have 6 Flexjets. Product shall feature a variable speed pump, 1.5 kW heater, back-lit user keypad, and remote control. Product shall have ten color-matched sequencing Bodyssage backjets, and two pulsating neckjets with pillow. Product shall be drilled for required grab bars. Bath whirlpool shall have 240 V, 20 A electrical service. Product shall be UL listed. Bath whirlpool shall coordinate with Portrait Suite. Bath whirlpool shall be Kohler Model K-1457-____-____.

PORTRAIT®

Technical Information

Fixture*:	
Bathing well:	
Basin area, bottom	40" (1016 mm) x 27" (686 mm)
Basin area, top	61" (1549 mm) x 32" (813 mm)
Weight	150 lbs (68 kg)
To overflow:	
Water depth	16" (406 mm)
Capacity	90 gal (341 L)
* Approximate measurements for comparison only.	

Included component:	
Cut-out template	113311-7

Pump	Heater	V	Hz	A
	1.5 kW	240	50/60	15

Minimum access panel (required):	
Pump/control	34" (864 mm) W x 15" (381 mm) H

Required Electrical Service

Dedicated circuit required, protected with Class A Ground-Fault Circuit-Interrupter (GFCI) or Residual Current Device (RCD):	
Pump/control	220-240 V, 20 A, 50/60 Hz

Installation Notes

Install this product according to the installation guide.

Maximum deck thickness should not exceed 2" (51 mm).

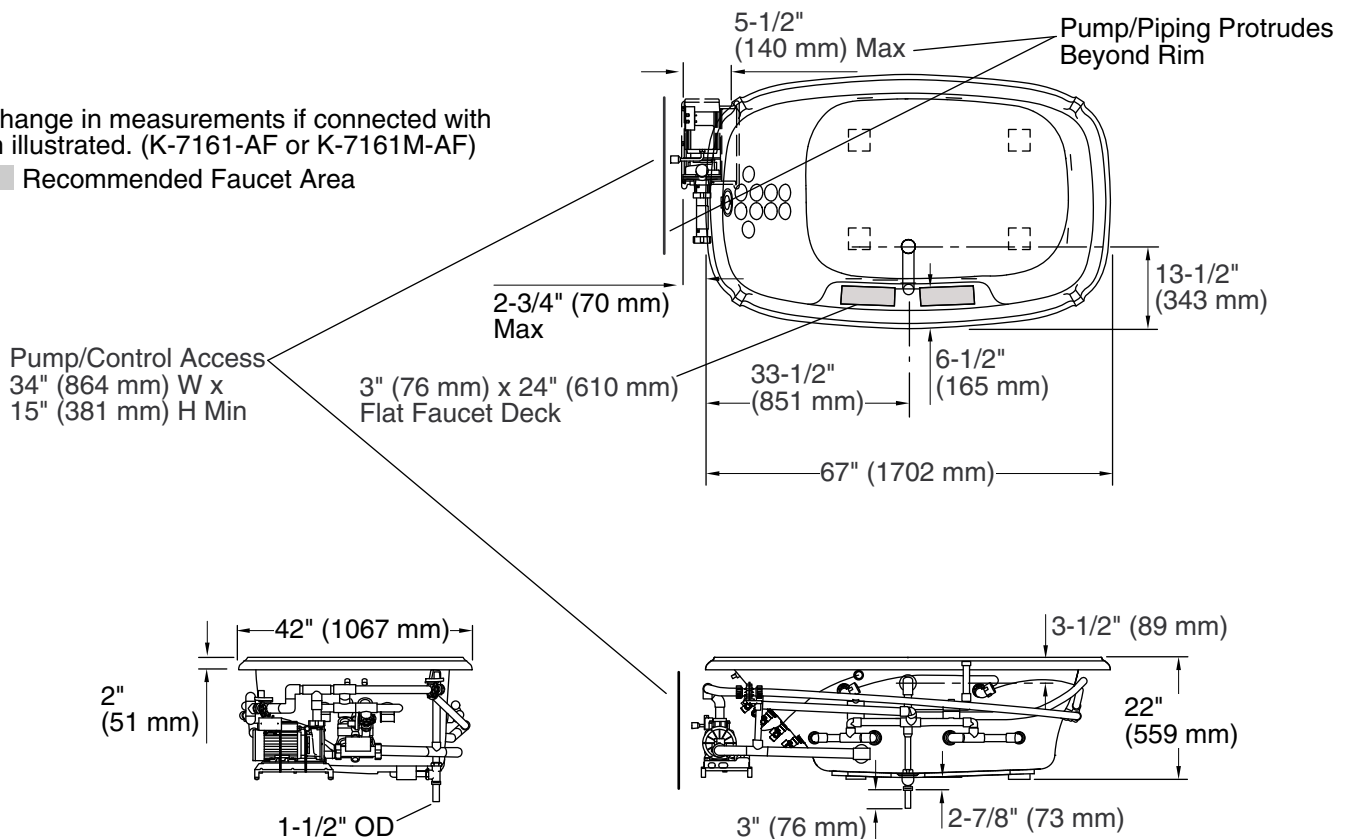
Floor support under whirlpool must provide for a minimum of 48 lbs/square foot (232 kg/square meter) loading.

Hot water supply should be 70% of capacity or greater. Installations will vary.

If installing a rim-mount faucet, make sure there is no interference with drain overflow and circulating system before drilling any holes. Consult local and national codes for minimum air gap requirements if installing a spout on the faucet deck.

No change in measurements if connected with drain illustrated. (K-7161-AF or K-7161M-AF)

Recommended Faucet Area



Product Diagram