

**SHOWER TRIM SET
K-T313
ALSO K-T309**

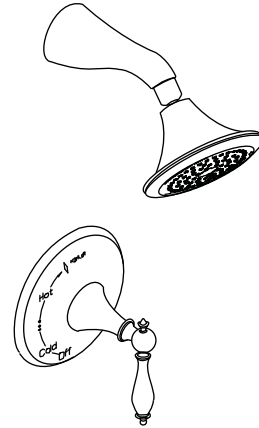
Features

- Brass construction
- Traditional handle
- Available with contrasting or matching finish faceplate and handle accents
- Intended for use with Rite-Temp® or HiFlow Rite-Temp® valves

Codes/Standards Applicable

Specified model meets or exceeds the following:

- ASME A112.18.1/CSA B125.1
- ASSE 1016

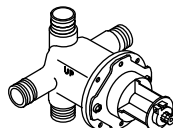
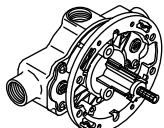


Colors/Finishes

- CP: Polished Chrome
- PB: Vibrant® Polished Brass
- Other: Refer to Price Book for additional colors/finishes

Specified Model

Model	Description	Colors/Finishes		
K-T313-4F	Shower only trim with biscuit accents	<input type="checkbox"/> CP	<input type="checkbox"/> PB	
K-T313-4M	Shower only trim with polished finish accents	<input type="checkbox"/> CP	<input type="checkbox"/> PB	<input type="checkbox"/> Other_____
K-T313-4P	Shower only trim with white accents	<input type="checkbox"/> CP	<input type="checkbox"/> PB	
K-T309-4F	Valve only trim with biscuit accents	<input type="checkbox"/> CP	<input type="checkbox"/> PB	
K-T309-4M	Valve only trim with polished finish accents	<input type="checkbox"/> CP	<input type="checkbox"/> PB	<input type="checkbox"/> Other_____
K-T309-4P	Valve only trim with white accents	<input type="checkbox"/> CP	<input type="checkbox"/> PB	

Required Accessories			
K-304-*	Rite-Temp® valve without stops OR	<input type="checkbox"/> NA	
K-2971-KS	HiFlow Rite-Temp valve with stops		<input type="checkbox"/> NA

* For a complete listing of all the RiteTemp valves, refer to the K-304-* Specification Sheet or Roughing-In Sheet.

Product Specification

The Rite-Temp pressure-balancing single-handle shower faucet trim shall be made of brass construction. Shower only trim shall include showerhead with arm, and faceplate with traditional handle. Valve only trim shall include faceplate with traditional handle. Faucet trim shall be Kohler Model K-T_____-_____-_____ and Rite-Temp valve shall be K-304-_____-NA OR K-2971-KS-NA HiFlow Rite-Temp valve.

FINIAL® TRADITIONAL

Optional Accessories

88526	HiFlow Rite-Temp® thin wall installation kit	<input type="checkbox"/> CP	<input type="checkbox"/> PB	<input type="checkbox"/> Other_____
-------	--	-----------------------------	-----------------------------	-------------------------------------

Installation Notes

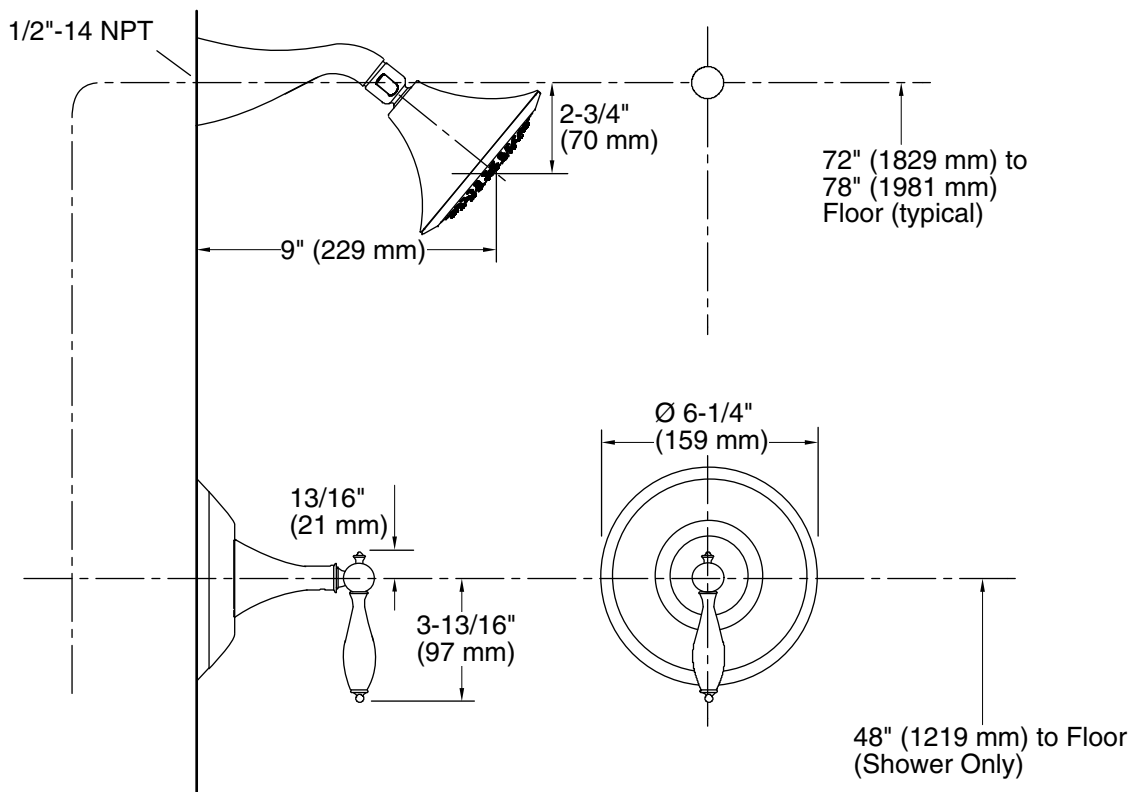
Install this product according to the installation guide.

NOTICE: Risk of product damage. Long screws, for installing trim, can damage the K-2971-KS valve. Consult the trim installation guide to verify if the thin wall installation kit (88526) is needed.

Avoid cross-flow conditions. Do not install shut-off device on either valve outlet.

Cap shower outlet if deck-mount spout, diverter, or handshower is connected to spout outlet.

Install straight pipe or tube drop of 7" (178 mm) to 18" (457 mm) with single elbow between valve and wall-mount spout



Product Diagram