

### UNDER-MOUNT BATHROOM SINK K-2350

ADA

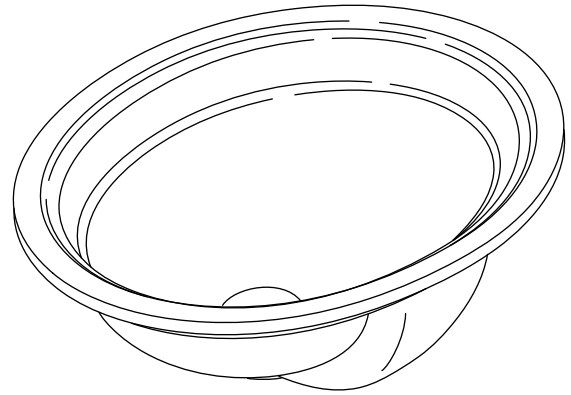
#### Features

- Vitreous china
- Under-mount
- Includes 52047 clamp assembly
- 16-7/8" (430 mm) x 13-11/16" (348 mm)

#### Codes/Standards Applicable

Specified model meets or exceeds the following:

- ASME A112.19.2/CSA B45.1
- ADA
- ICC/ANSI A117.1



#### Colors/Finishes

- 0: White
- Other: Refer to Price Book for additional colors/finishes

#### Accessories:

- CP: Polished Chrome
- Other: Refer to Price Book for additional colors/finishes

#### Specified Model

Model	Description	Colors/Finishes	
K-2350	16-7/8" (430 mm) x 13-11/16" (348 mm) Bathroom sink	<input type="checkbox"/> 0	<input type="checkbox"/> Other_____
Recommended Accessory			
K-9018	P-Trap	<input type="checkbox"/> CP	<input type="checkbox"/> Other_____

#### Product Specification

The under-mount bathroom sink shall be 16-7/8" (430 mm) in length, and 13-11/16" (348 mm) in width. Under-mount bathroom sink shall be made of vitreous china. Under-mount bathroom sink shall include 52047 clamp assembly. Under-mount bathroom sink shall be Kohler Model K-2350-\_\_\_\_\_.

# DEVONSHIRE®

## Technical Information

Fixture:*	basin area	water depth
Bathroom sink	16-7/8" (430 mm) x 13-11/16" (348 mm)	4-3/16" (106 mm)
Drain hole	Ø 1-3/4" (44 mm)	

\* Approximate measurements for comparison only.

Included Components:	
Basin clamp assembly	52047
Cutout template	1035965-7

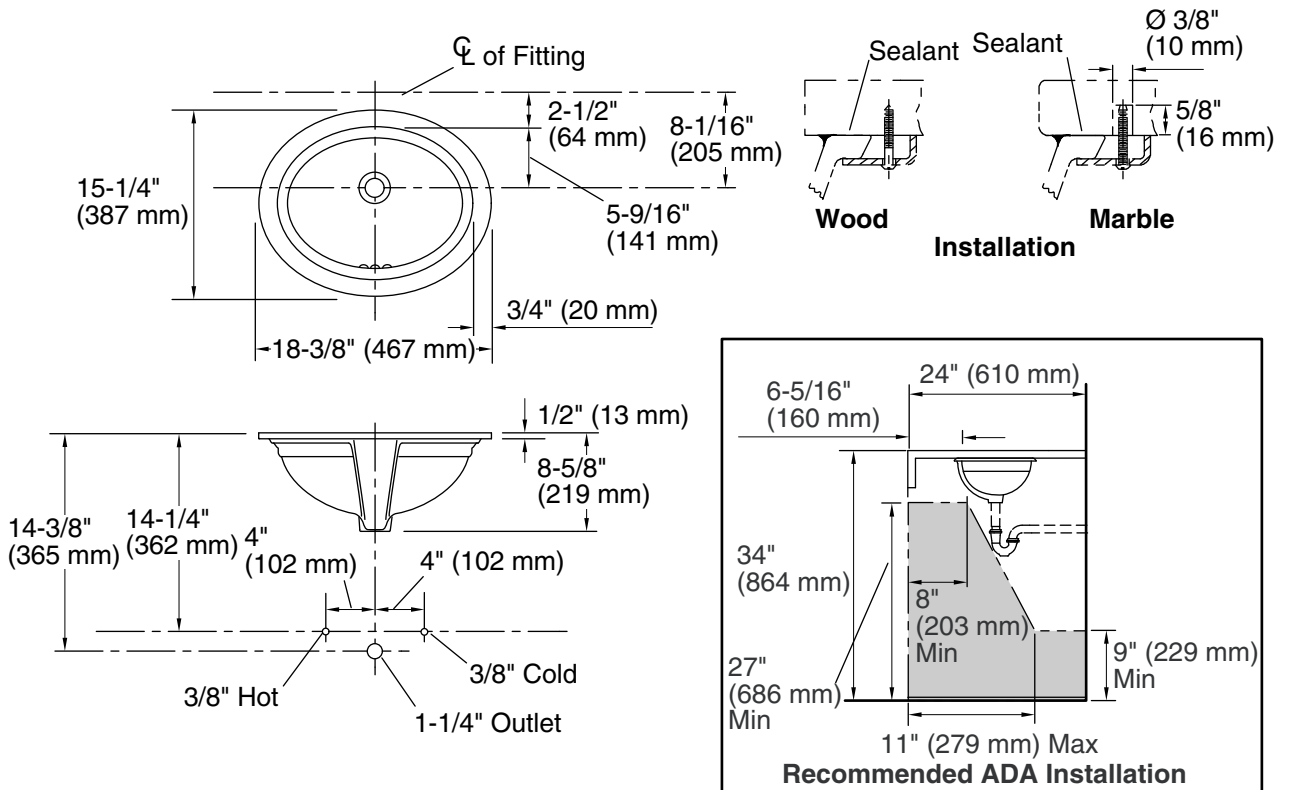
## Installation Notes

Install this product according to the installation guide.

Supplied basin clamp assemblies require 1" (25 mm) minimum countertop thickness. Installer must supply anchors for thinner countertops.

**NOTICE:** Countertop manufacturer or cutter must use the cutout template provided with the product, or a current one provided by Kohler (call 1-800-4KOHLER). Kohler is not responsible for cutout errors when incorrect cutout template is used.

Will comply with **ADA** when installed per section 606 Lavatories of the Act.



## Product Diagram