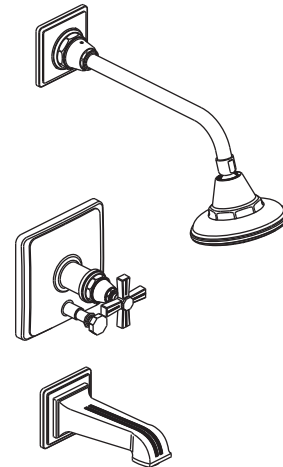


Features

- Metal construction
- Wall-mount bath and shower faucet
- Available with cross or lever handles
- For use with valves with a diverter
- Complements Pinstripe® Suite
- Requires a Rite-Temp® pressure-balancing valve K-305-K-NA or K-305-KS-NA

**BATH & SHOWER TRIM SET
K-T13133**



Codes/Standards Applicable

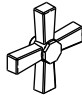
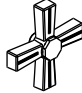


Specified model meets or exceeds the following:

- ASME A112.18.1/CSA B125.1

Colors/Finishes

- CP: Polished Chrome
- Other: Refer to Price Book for additional colors/finishes

Specified Model

Model	Description		Colors/Finishes	
K-T13133-3A*	Bath & shower trim with diverter – plain cross handles, plain spout		<input type="checkbox"/> CP	<input type="checkbox"/> Other ____
K-T13133-3B*	Bath & shower trim with diverter – grooved cross handles, grooved spout		<input type="checkbox"/> CP	<input type="checkbox"/> Other ____
K-T13133-4A*	Bath & shower trim with diverter – plain lever handles, plain spout		<input type="checkbox"/> CP	<input type="checkbox"/> Other ____
K-T13133-4B*	Bath & shower trim with diverter – grooved lever handles, grooved spout		<input type="checkbox"/> CP	<input type="checkbox"/> Other ____

* Requires K-305-K-NA or K-305-KS-NA Rite-Temp pressure-balancing valve.

Product Specification

Wall-mount bath & shower trim set shall be of metal construction. Product shall be for use with valves with a diverter. Product shall be available with cross or lever handles. Product shall require a Rite-Temp® pressure-balancing valve K-305-K-NA or K-305-KS-NA. Product shall complement the Pinstripe Suite. Bath & shower trim set shall be K-____-____-____ with Rite-Temp pressure balancing valve K-305-____-NA.

PINSTRIBE™

Optional Accessories		
73418	Deep rough-in kit	<input type="checkbox"/> NA

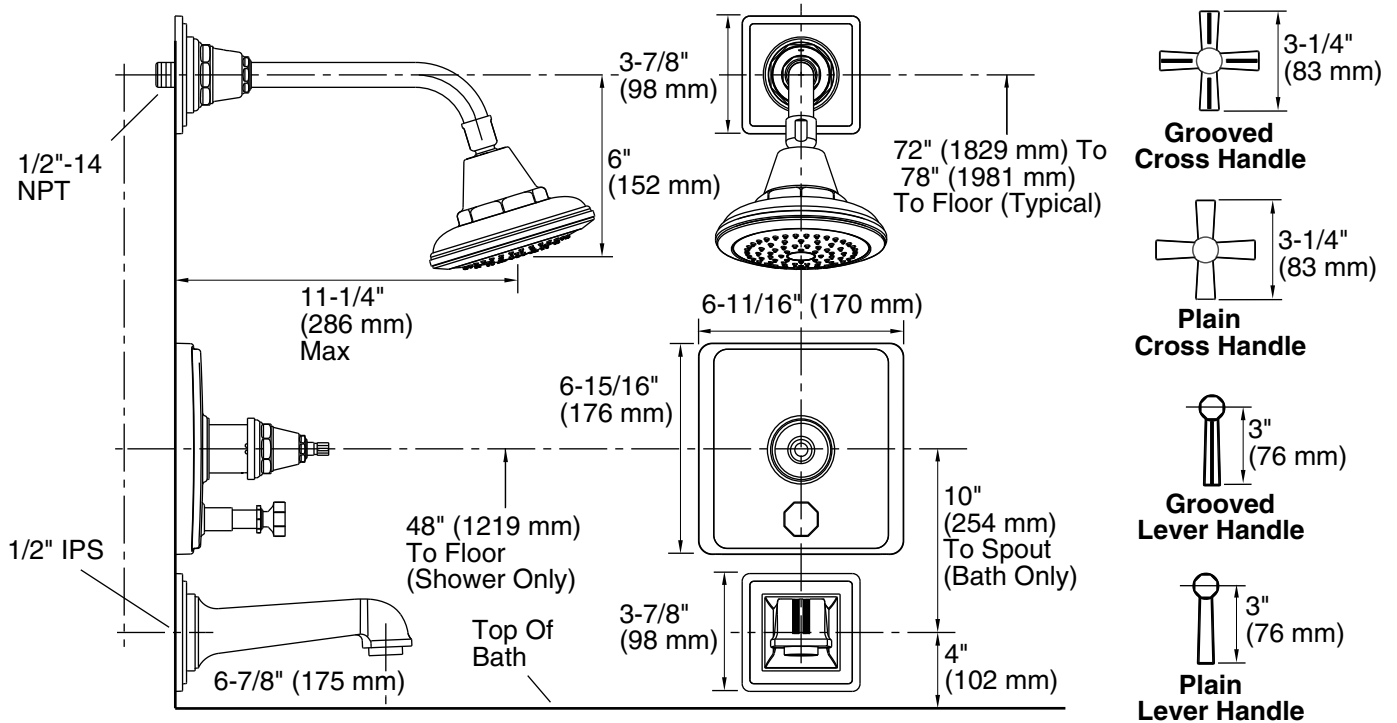
Installation Notes

Install this product according to the installation guide.

Avoid cross-flow conditions. Do not install shut-off device on either valve outlet.

Cap shower outlet if deck-mount spout, diverter, or handshower is connected to spout outlet.

Install straight pipe or tube drop of 7" (178 mm) to 18" (457 mm) with single elbow between valve and wall-mount spout.



Product Diagram