

**VALVE TRIM  
K-T10291**

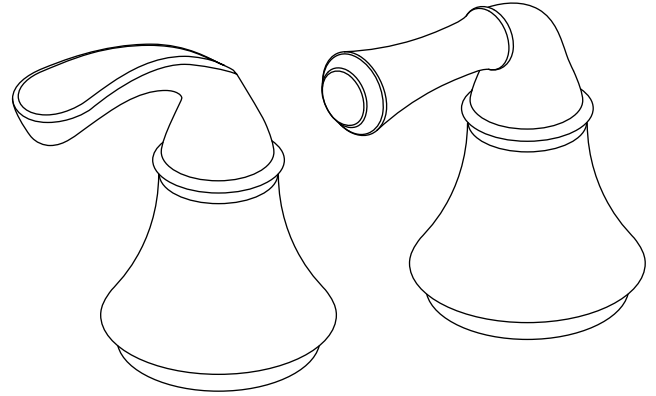
**Features**

- Brass construction
- ADA compliant lever handles
- Bath- or deck-mount

**Codes/Standards Applicable**

Specified model meets or exceeds the following:

- ASME A112.18.1/CSA B125.1

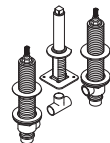
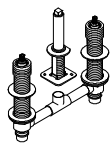


**Colors/Finishes**

- CP: Polished Chrome
- PB: Vibrant® Polished Brass
- Other: Refer to Price Book for additional colors/finishes

**Specified Model**

Model	Description	Color/Finish		
K-T10291-4	Sculpted Lever Handle Valve Trim	<input type="checkbox"/> CP	<input type="checkbox"/> PB	<input type="checkbox"/> Other _____
K-T10291-4A	Traditional Lever Handle Valve Trim	<input type="checkbox"/> CP	<input type="checkbox"/> PB	<input type="checkbox"/> Other _____

Required Accessory			
K-300-K	1/2" High-Flow Ceramic Disc Valve System	<input type="checkbox"/> NA	
K-301-K	3/4" High-Flow Ceramic Disc Valve System	<input type="checkbox"/> NA	
K-300-KR	1/2" High-Flow Ceramic Disc Valve System		<input type="checkbox"/> NA

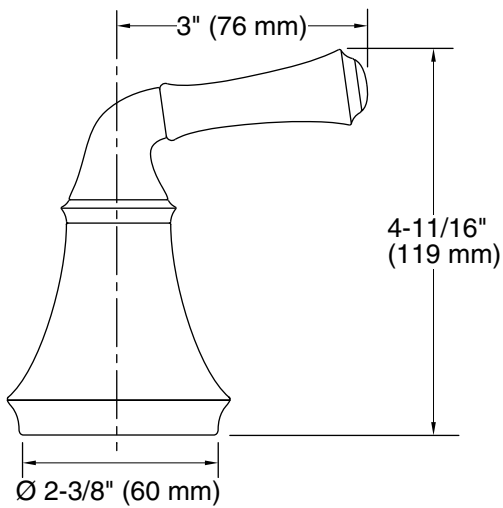
**Product Specification**

Two-handle deck-mount high-flow valve trim shall be of brass construction. Product shall include lever handles. Valve trim shall be Kohler Model K-T10291-\_\_\_\_-\_\_\_\_ and valve system shall be Kohler Model K-\_\_\_\_-\_\_\_\_-NA.

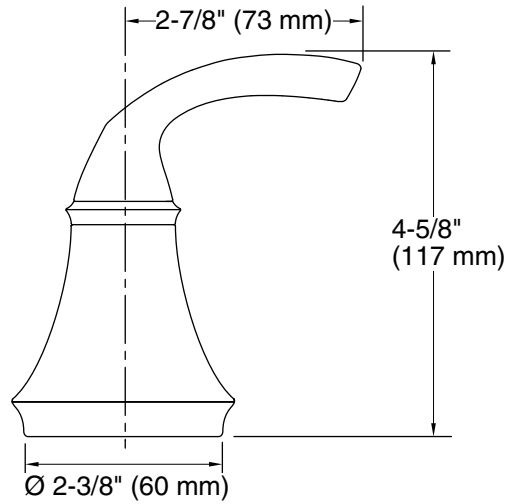
# FORTÉ™

## Installation Notes

Install this product according to the installation guide.



**Traditional**



**Sculpted**

## Product Diagram