

UNDER-MOUNT KITCHEN SINK K-3185

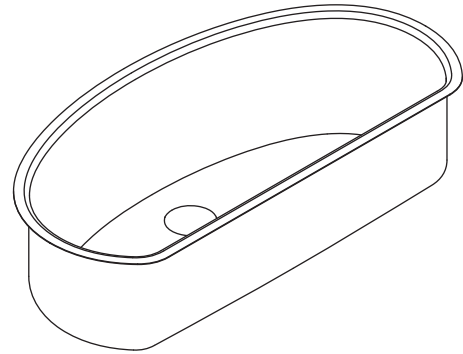
Features

- 18-gauge stainless steel
- Under-mount
- Single compartment
- Includes installation hardware
- 35-1/4" (895 mm) x 16-1/4" (413 mm)

Codes/Standards Applicable

Specified model meets or exceeds the following:

- ASME A112.19.3/CSA B45.4



Colors/Finishes

- NA: None applicable

Accessories

- CP: Polished Chrome
- Other: Refer to Price Book for additional colors/finishes

Specified Model

Model	Description	Colors/Finishes	
K-3185	Under-mount kitchen sink	<input type="checkbox"/> NA	
Optional Accessories			
K-8801	Duostrainer® sink strainer	<input type="checkbox"/> CP	<input type="checkbox"/> Other_____

Product Specification

The under-mount kitchen sink shall be made of 18-gauge stainless steel. Sink shall be 35-1/4" (895 mm) in length and 16-1/4" (413 mm) in width. Sink shall be single compartment. Sink shall include installation hardware. Sink shall be Kohler Model K-3185-NA.

UNDERTONE®

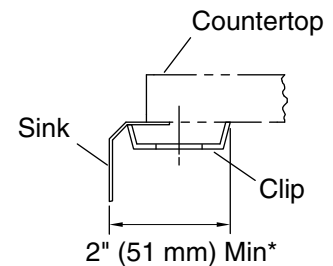
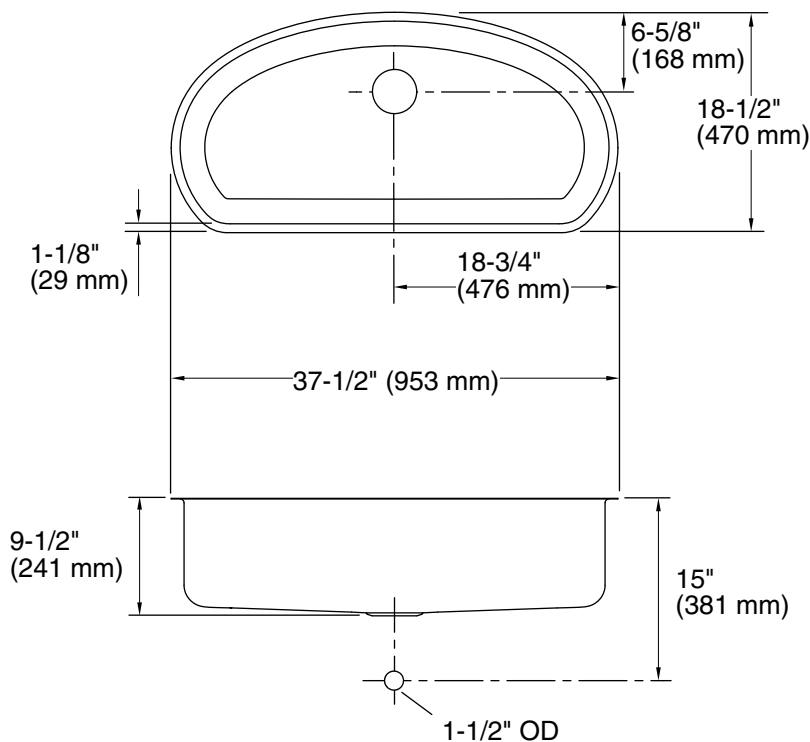
Technical Information

Fixture:*	
Bowl area	35-1/4" (895 mm) x 16-1/4" (413 mm)
Water depth	9-1/2" (241 mm)
Drain Hole	Ø 3-5/8" (92 mm)
* Approximate measurements for comparison only.	

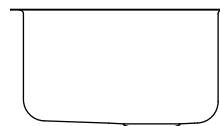
Included components:	
Hardware kit (4 required)	91915
Cut-out template	1040320-7

Installation Notes

Install this product according to the installation guide.



* Allow clearance around sink rim for clip attachment.



Product Diagram