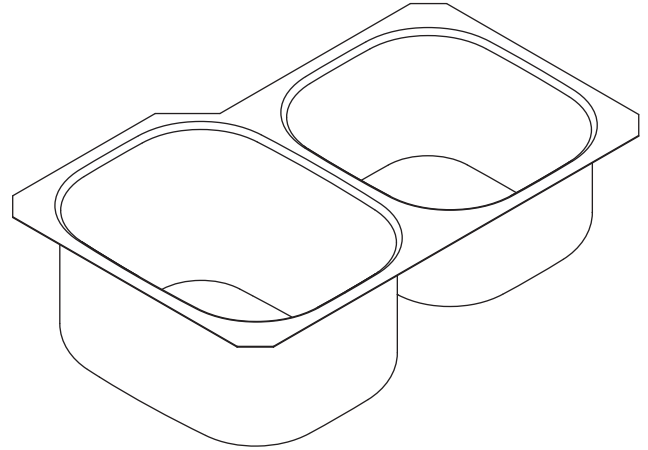


Features

- 18-gauge stainless steel
- Under-mount
- Includes installation hardware
- Double (large/medium) compartment
- Rounded bowl(s)
- 28-3/4" (730 mm) x 17-7/8" (454 mm)
- 9-1/2" (241 mm) deep left bowl and 7-1/2" (191 mm) deep right bowl (K-3150)
- 7-1/2" (191 mm) deep left bowl and 9-1/2" (241 mm) deep right bowl (K-3150-L)

UNDER-MOUNT KITCHEN SINK K-3150 ALSO K-3150-L



Codes/Standards Applicable

Specified model meets or exceeds the following:

- ASME A112.19.3/CSA B45.4

Colors/Finishes

- NA: None applicable

Accessories

- CP: Polished Chrome
- 0: White
- Other: Refer to Price Book for additional colors/finishes
- NA: None applicable

Specified Model

Model	Description	Colors/Finishes
K-3150	Under-mount kitchen sink – deeper bowl on left (shown)	<input type="checkbox"/> NA
K-3150-L	Under-mount kitchen sink – deeper bowl on right	<input type="checkbox"/> NA

Optional Accessories					
K-3278	Hardwood cutting board (for either bowl)		<input type="checkbox"/> NA		
K-3280	Wire basket (for either bowl)	<input type="checkbox"/> 0			<input type="checkbox"/> Other _____
K-3291	Colander (for either bowl)	<input type="checkbox"/> 0			<input type="checkbox"/> Other _____
K-8801	Duostrainer® sink strainer			<input type="checkbox"/> CP	<input type="checkbox"/> Other _____

Product Specification

The under-mount kitchen sink shall be made of 18-gauge stainless steel. Sink shall be 28-3/4" (730 mm) in length and 17-7/8" (454 mm) in width. Sink shall be double (large/medium) compartment with rounded bowls. Kohler Model K-3150 sink shall have 9-1/2" (241 mm) deep left bowl and 7-1/2" (191 mm) deep right bowl. Kohler Model K-3150-L sink shall have 7-1/2" (191 mm) deep left bowl and 9-1/2" (241 mm) deep right bowl. Sink shall include installation hardware. Sink shall be Kohler Model K-3150-_____.

UNDERTONE®

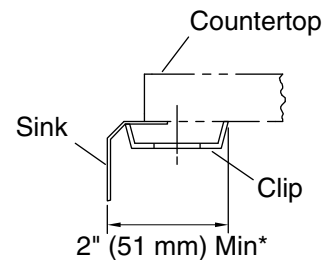
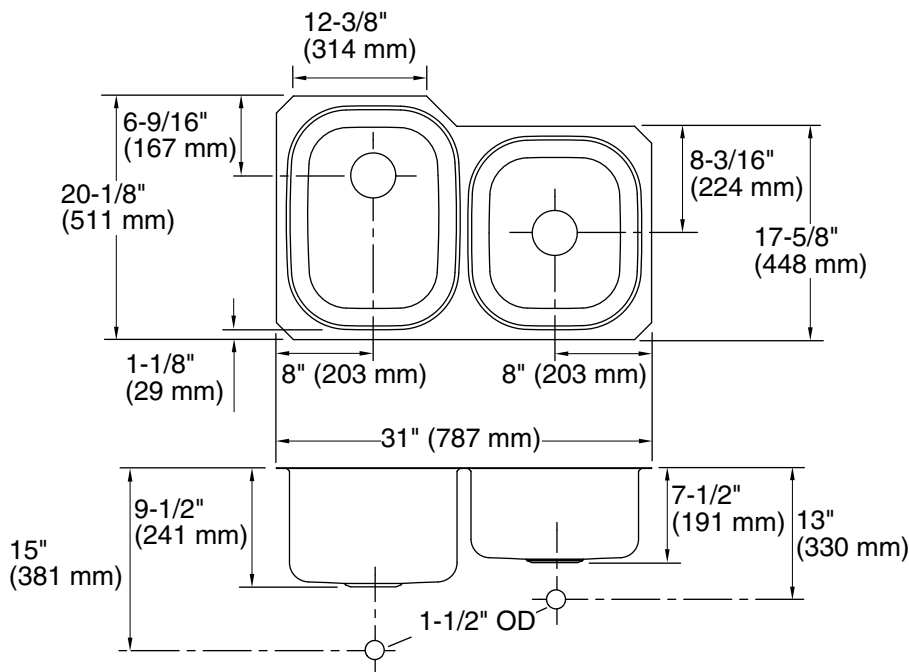
Technical Information

Dimensions shown for K-3150; sink dimensions are opposite for K-3150-L.		
Fixture:*	Bowl area	Water depth
Sink, left	14" (356 mm) x 18" (457 mm)	9-1/2" (241 mm)
Sink, right	14" (356 mm) x 15" (381 mm)	7-1/2" (191 mm)
Drain Holes	Ø 3-5/8" (92 mm)	
* Approximate measurements for comparison only.		

Included components:	
Hardware kit (4 required)	91915
Cut-out template (K-3150)	1040558-7
Cut-out template (K-3150-L)	1024992-7

Installation Notes

Install this product according to the installation guide.



* Allow clearance around sink rim for clip attachment.



Product Diagram