

PRESSURE LITE® TOILET K-3505

Features

- Vitreous china
- Elongated bowl
- Equipped with Sloan FLUSHMATE® – Sloan® Valve Company
- Polish chrome trip lever
- Less seat and supply
- 12" (305 mm) rough-in
- 1.6 gpf (6 lpf)
- 12" (305 mm) x 10" (254 mm) water area
- 30-1/4" (768 mm) x 21-1/4" (540 mm) x 29-1/4" (743 mm)



Codes/Standards Applicable

Specified model meets or exceeds the following:

- ASME A112.19.2/CSA B45.1
- Energy Policy Act of 2005

Colors/Finishes

- 0: White
- Other: Refer to Price Book for additional colors/finishes

Accessories

- 0: White
- CP: Polished Chrome
- PB: Vibrant® Polished Brass

Specified Model

Model	Description	Trip Lever	Colors/Finishes	
K-3505	Pressure Lite toilet	left-hand	<input type="checkbox"/> 0	<input type="checkbox"/> Other_____
K-3505-RA	Pressure Lite toilet	right-hand	<input type="checkbox"/> 0	<input type="checkbox"/> Other_____
K-3505-T	Pressure Lite toilet with tank cover locks	left-hand	<input type="checkbox"/> 0	<input type="checkbox"/> Other_____
K-3505-TR	Pressure Lite toilet with tank cover locks	right-hand	<input type="checkbox"/> 0	<input type="checkbox"/> Other_____

Recommended Accessories

K-4650	French Curve® seat with cover	<input type="checkbox"/> 0			<input type="checkbox"/> Other_____
K-4664	Brevia™ seat with cover	<input type="checkbox"/> 0			<input type="checkbox"/> Other_____
K-7637	Angle supply with stop		<input type="checkbox"/> CP	<input type="checkbox"/> PB	<input type="checkbox"/> Other_____

Product Specification

The elongated bowl toilet shall be made of vitreous china. Toilet shall be 30-1/4" (768 mm) in length, 21-1/4" (540 mm) in width, and 29-1/4" (743 mm) in height. Toilet shall be 12" (305 mm) rough-in equipped with Sloan Flushmate® – Sloan Valve Company. Toilet shall have 12" (305 mm) x 10" (254 mm) water area. Toilet shall be 1.6 gpf (6 lpf). Toilet shall include polished chrome trip lever. Toilet shall be less seat and supply. Toilet shall be Kohler Model K-3505-_____-_____.

Optional Accessories

K-9481-L	Trip lever, left-hand (non-CP)	<input type="checkbox"/> PB	<input type="checkbox"/> Other_____
K-9481-R	Trip lever, right-hand (non-CP)	<input type="checkbox"/> PB	

Technical Information

Fixture:	
Configuration	two-piece, elongated
Water per flush	1.6 gallons (6 L)
Passageway	2-1/4" (57 mm)
Water area	12" (305 mm) x 10" (254 mm)
Water depth from rim	5-5/8" (143 mm)
Seat post hole centers	5-1/2" (140 mm)
Minimum static pressure required	20 psi (137.9 kPa)
Maximum static pressure	80 psi (551.6 kPa)

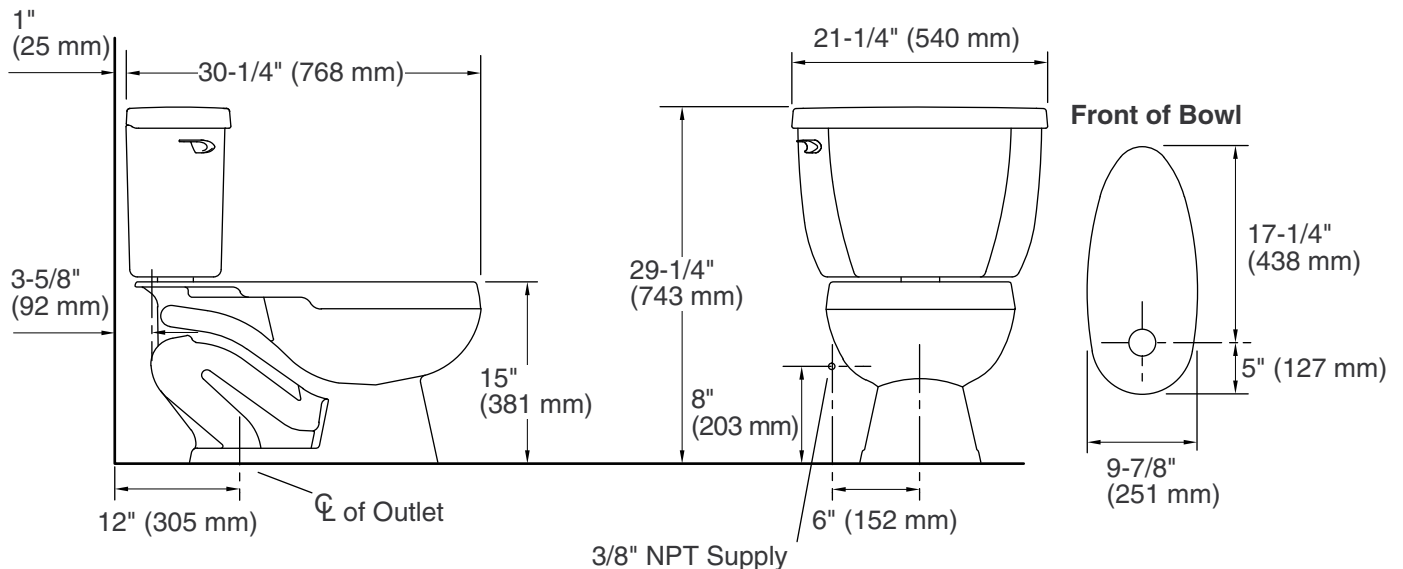
Included Components*:

Bowl	K-4303
Tank	K-4645
Tank cover	1036375
Trip lever	K-9481
Tank accessory pack	73062
Bolt cap accessory pack	52048
*Equipped with Sloan Flushmate™ – Sloan Valve Company	

Installation Notes

Install this product according to the installation guide.

For back-to-back installations, the toilet shall be connected to the vertical stack using one of the three following fittings: double fixture fitting, double combination wye and 1/8 bends, or double wye and 1/8 bends.



Product Diagram