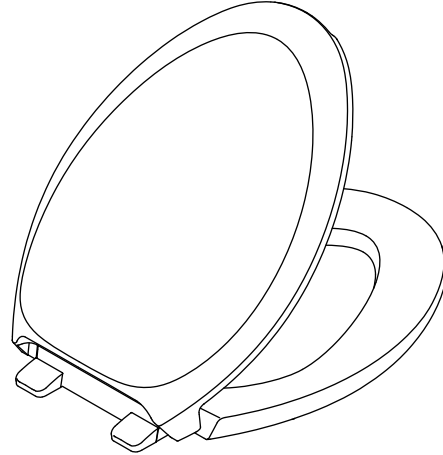


FRENCH CURVE® WITH Q3 ADVANTAGE™

TOILET SEAT K-4713

Features

- Solid polypropylene plastic
- Elongated closed-front
- Contoured seat for user comfort
- Quiet-Close™ lid and ring prevents slamming
- Quick-Release™ hinge caps snap open and seat pulls forward for removal
- Quick-Attach™ stainless steel fastener allows for top-mount screwdriver only install
- Slip resistant bumpers hold seat firmly in place



Codes/Standards Applicable

Specified model meets or exceeds the following:

- ANSI Z124.5

Colors/Finishes

- 0: White
- Other: Refer to Price Book for additional colors/finishes

Specified Model

Model	Description	Colors/Finishes	
K-4713	Toilet seat	<input type="checkbox"/> 0	<input type="checkbox"/> Other _____

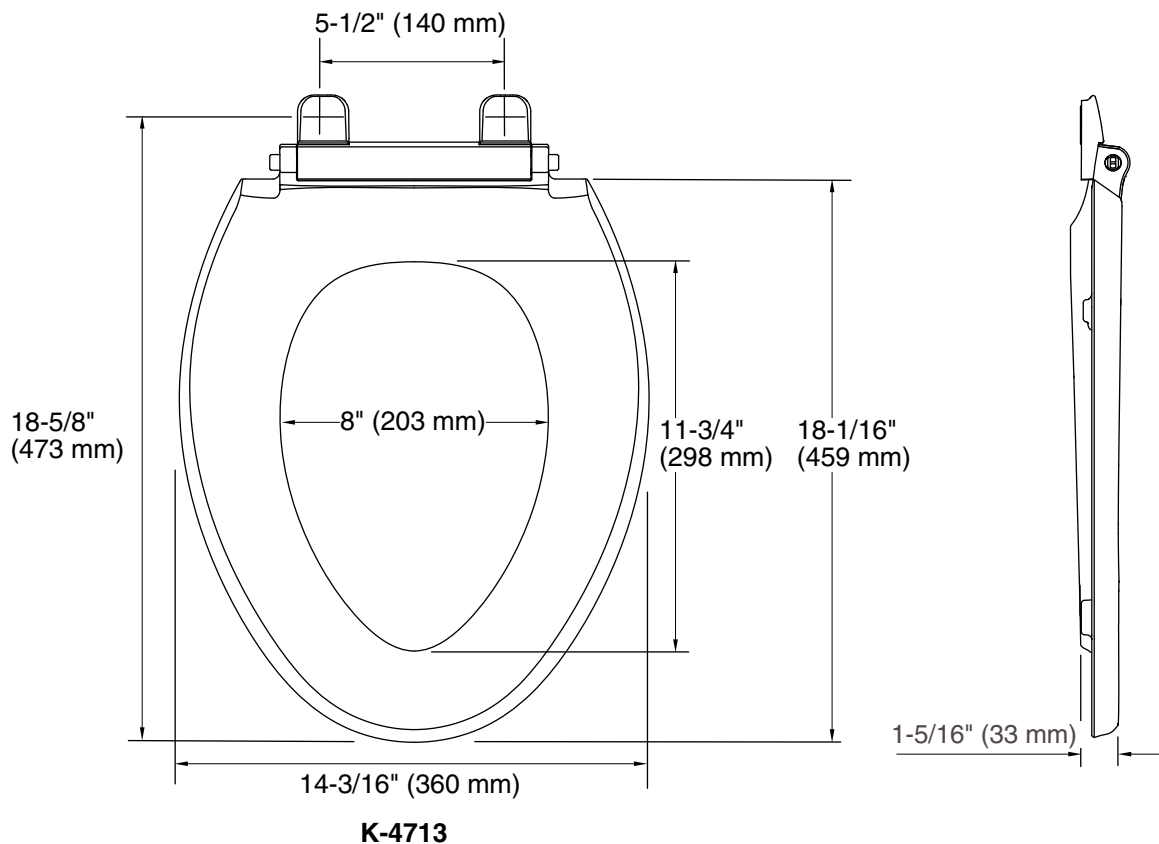
Product Specification

The toilet seat shall be made of solid polypropylene plastic. Product shall be elongated closed-front. Product shall have Quiet-Close™ lid and ring that prevent slamming, Quick-Release™ hinge caps snap open and seat pulls forward for removal. Product shall have Quick-Attach™ stainless steel fastener, which allows for top-mount screwdriver only install. Product shall have contoured seat for user comfort. Product shall have slip resistant bumpers that hold seat firmly in place. Toilet seat shall be Kohler Model K-4713-_____.

FRENCH CURVE® WITH Q3 ADVANTAGE™

Installation Notes

Install this product according to the installation guide.



Product Diagram