

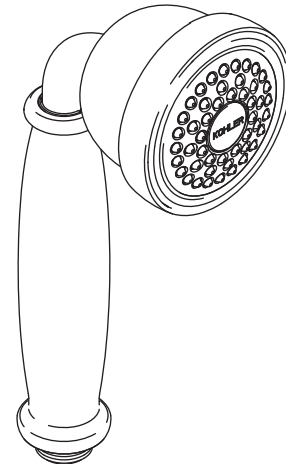
Features

- 2.5 gpm (9.5 lpm)
- Single function
- Complements Lyntier™ faucet line

Codes/Standards Applicable

Specified model meets or exceeds the following:

- ASME A112.18.1/CSA B125.1
- ICC/ANSI A117.1
- ADA



Colors/Finishes

- CP: Polished Chrome
- Other: Refer to Price Book for additional colors/finishes

Accessories:

- CP: Polished Chrome

Specified Model

Model	Description	Colors/Finishes	
K-10343	Handshower	<input type="checkbox"/> CP	<input type="checkbox"/> Other ____
Required Accessories		U	
K-9514	60" (1524 mm) metal shower hose	<input type="checkbox"/> CP	

Product Specification

Handshower shall feature single function spray. Handshower shall have a 2.5 gallon (9.5 L) per minute flow rate. Handshower shall complement the Lyntier™ faucet line. Product shall be Kohler Model K-10343-____.

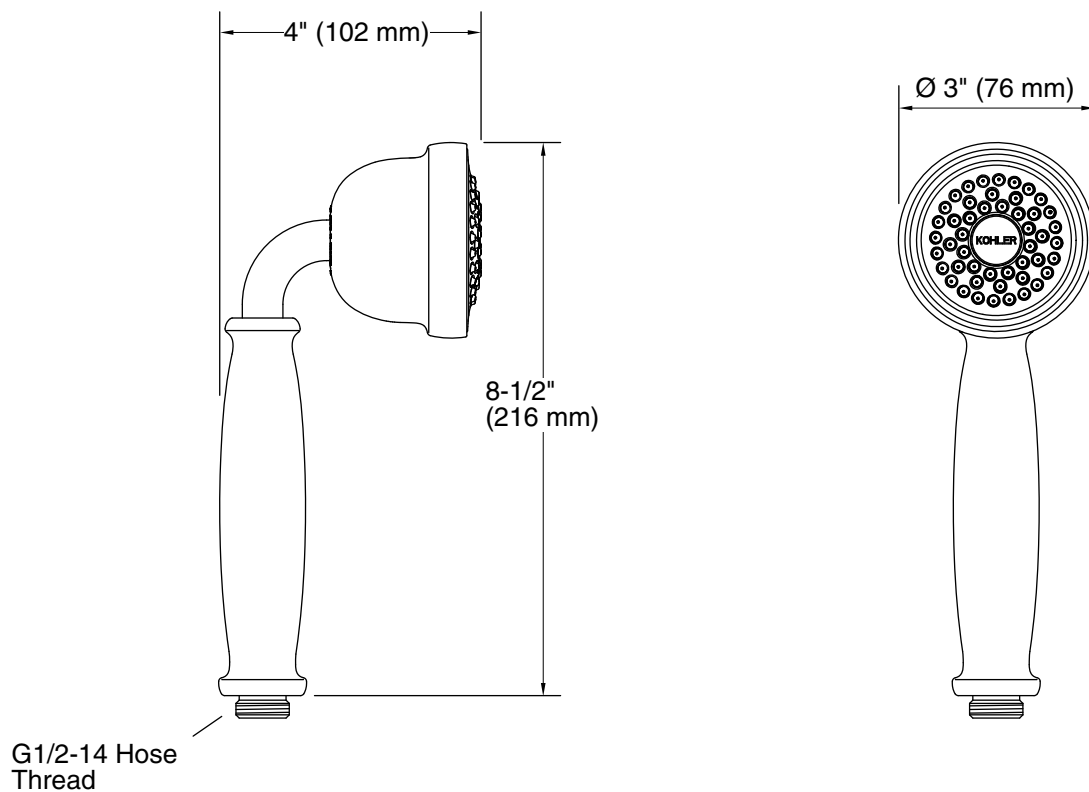
LYNTIER™

Installation Notes

Install this product according to the installation guide.

Plumbing codes require an atmospheric vacuum breaker (such as Kohler Model K-9660) be installed in-line with handshowers. Please consult with local plumbing officials.

If the handshower is mounted on a vertical bar, the vertical bar shall be installed so as not to obstruct the use of grab bars per ADA Accessibility Guidelines.



Product Diagram