

Features

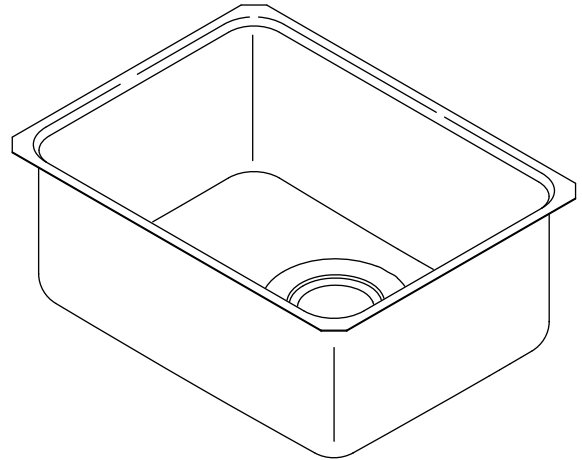
- 18-gauge stainless steel
- Under-mount
- Single bowl
- Includes installation hardware
- 21-1/4" (540 mm) x 15-3/4" (400 mm)

Codes/Standards Applicable

Specified model meets or exceeds the following:

- ASME A112.19.3/CSA B45.4

UNDER-MOUNT KITCHEN SINK K-6661



Colors/Finishes

- NA: None applicable

Accessories

- CP: Polished Chrome
- Other: Refer to Price Book for additional colors/finishes

Specified Model

Model	Description	Colors/Finishes
K-6661	Under-mount kitchen sink	<input type="checkbox"/> NA

Optional Accessories		
K-8801	Duostrainer® sink strainer	<input type="checkbox"/> CP <input type="checkbox"/> Other_____
K-8813	Stainless steel sink strainer	<input type="checkbox"/> CP
K-8814	Stainless steel sink strainer	<input type="checkbox"/> CP

Product Specification

The under-mount kitchen sink shall be 21-1/4" (540 mm) in length and 15-3/4" (400 mm) in width. Sink shall be made of 18-gauge stainless steel. Sink shall be single bowl and include installation hardware. Sink shall be Kohler Model K-6661-NA.

UNDERTONE®

Technical Information

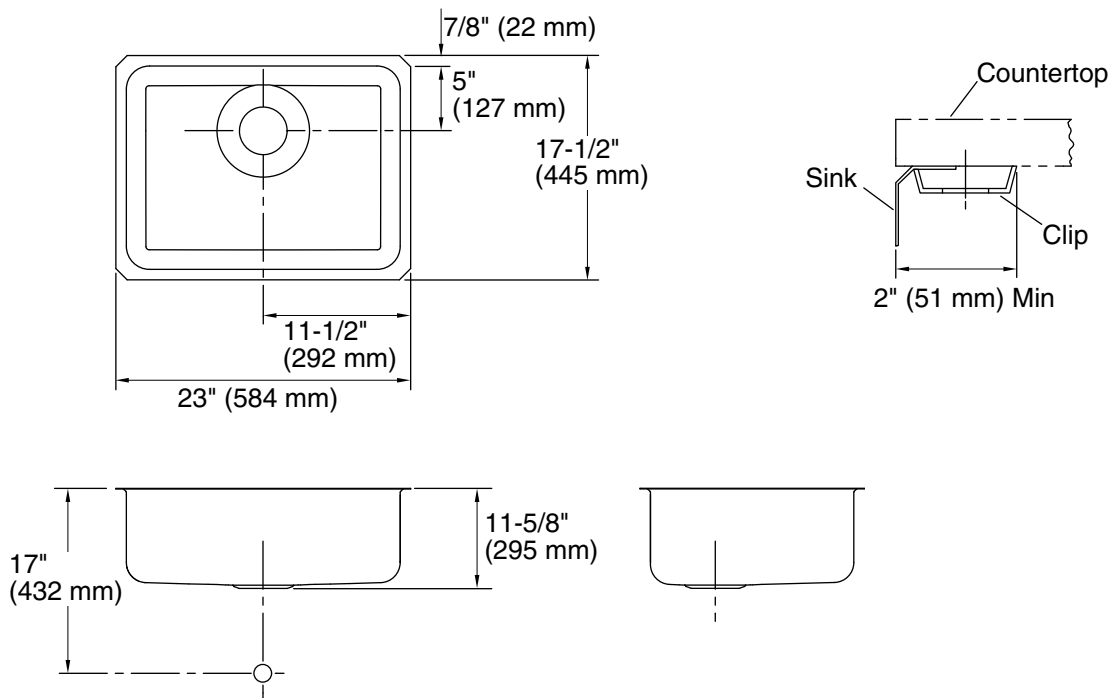
Fixture*:	
Bowl area	21-1/4" (540 mm) x 15-3/4" (400 mm)
Water depth	11-1/4" (286 mm)
Drain hole	Ø 3-5/8" (92 mm)
* Approximate measurements for comparison only.	

Included components:	
Hardware kit	91915
Cut-out template	113193-7

Installation Notes

Install this product according to the installation guide.

Allow a minimum of 2" (51 mm) clearance around the sink rim for clip attachment.



Product Diagram