

Features

- Vitreous china
- Under-mount
- With overflow
- Without faucet hole(s)
- Includes 52047 clamp assembly
- Ø 13-3/4" (349 mm)

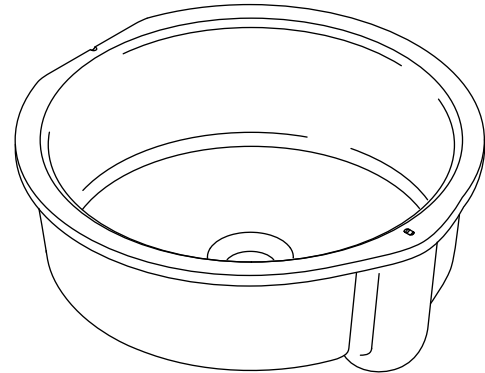
UNDER-MOUNT BATHROOM SINK K-2883

ADA

Codes/Standards Applicable

Specified model meets or exceeds the following:

- ADA
- ASME A112.19.2/CSA B45.1
- ICC/ANSI A117.1



Colors/Finishes

- 0: White
- Other: Refer to Price Book for additional colors/finishes

Accessories

- CP: Polished Chrome
- Other: Refer to Price Book for additional colors/finishes

Specified Model

Model	Description	Colors/Finishes	
K-2883	Under-mount bathroom sink	<input type="checkbox"/> 0	<input type="checkbox"/> Other_____
Recommended Accessories			
K-8998	Adjustable P-Trap	<input type="checkbox"/> CP	<input type="checkbox"/> Other_____

Product Specification

The under-mount bathroom sink shall be made of vitreous china. Bathroom sink shall be Ø 13-3/4" (349 mm). Bathroom sink shall be with overflow and without faucet hole(s). Bathroom sink shall include 52047 clamp assembly. Bathroom sink shall be Kohler Model K-2883-_____.

VERTICYL™

Technical Information

Fixture*:	
Basin area	Ø 13-3/4" (349 mm)
Water depth	3-1/8" (79 mm)
Drain hole	Ø 1-3/4" (44 mm)
* Approximate measurements for comparison only.	

Included components:	
Basin clamp assembly	52047
Cut-out template	1109224-7

Installation Notes

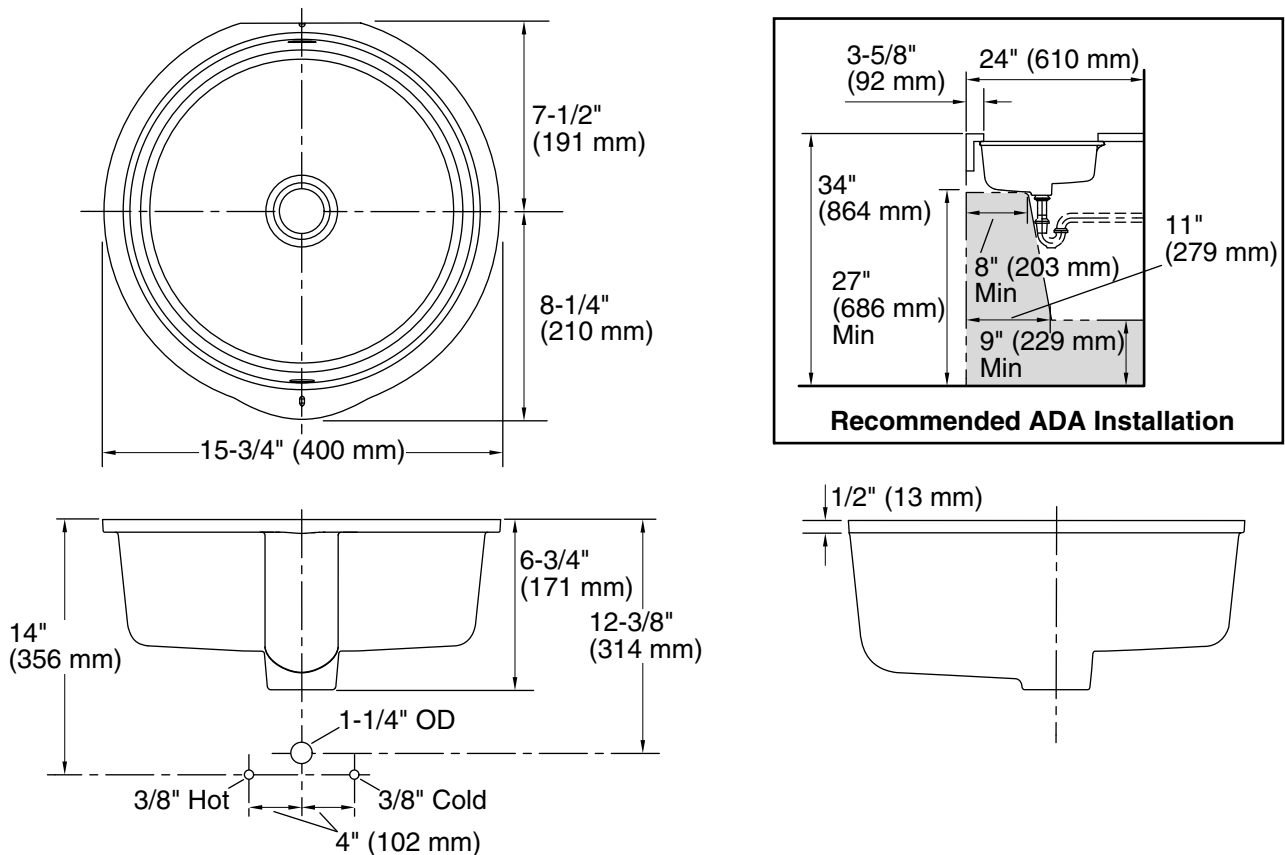
Install this product according to the installation guide.

Supplied basin clamp assemblies require 1" (25 mm) minimum countertop thickness. Installer must supply anchors for thinner countertops.

NOTICE: Countertop manufacturer or cutter must use the cut-out template provided with the product, or a current one provided by Kohler Co. (call 1-800-4KOHLER). Kohler Co. is not responsible for cut-out errors when incorrect cut-out template is used.

Will comply with **ADA** when installed per section 606 Lavatories of the Act.

For under-mount installation, counter top thickness can not be greater than 1" (25 mm) for **ADA** compliance.



Product Diagram