

Features

- Fireclay
- With or without overflow
- Countertop installation or to K-2392 vanity
- 25-1/16" (637 mm) x 18-1/16" (459 mm)

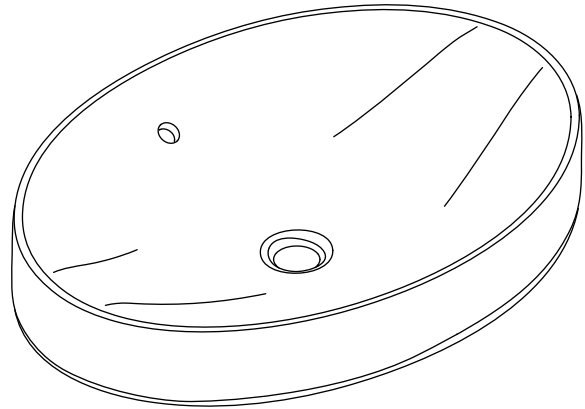
COUNTERTOP BATHROOM SINK K-2952

ADA

Codes/Standards Applicable

Specified model meets or exceeds the following:

- ADA
- ASME A112.19.2/CSA B45.1
- ICC/ANSI A117.1



Colors/Finishes

- 0: White
- Other: Refer to Price Book for additional colors/finishes

Accessories

- CP: Polished Chrome
- Other: Refer to Price Book for additional colors/finishes

Specified Model

Model	Description	Colors/Finishes	
K-2952	Countertop bathroom sink with overflow (shown)	<input type="checkbox"/> 0	<input type="checkbox"/> Other _____
K-2952-N	Countertop bathroom sink without overflow	<input type="checkbox"/> 0	<input type="checkbox"/> Other _____

Included Accessories			
K-4062	Overflow cap for K-2952	<input type="checkbox"/> CP	<input type="checkbox"/> Other _____

Recommended Accessories			
K-7107	Decorative grid drain	<input type="checkbox"/> CP	<input type="checkbox"/> Other _____
K-7108	Decorative grid drain	<input type="checkbox"/> CP	<input type="checkbox"/> Other _____
K-7710	Metal stopper	<input type="checkbox"/> CP	<input type="checkbox"/> Other _____
K-9018	P-Trap	<input type="checkbox"/> CP	<input type="checkbox"/> Other _____

Product Specification

The fireclay bathroom sink shall be 25-1/16" (637 mm) in length and 18-1/16" (459 mm) in width. Bathroom sink shall be for countertop installation or for installation on the K-2392 vanity. Bathroom sink shall be available with or without overflow. Bathroom sink shall be Kohler Model K-2952-_____.

STRELA™

Technical Information

Fixture*:	
Basin area	24-1/2" (622 mm) x 17-1/2" (445 mm)
Water depth	3-11/16" (94 mm) without overflow 1-13/16" (46 mm) with overflow
Drain hole	Ø 1-3/4" (44 mm)
* Approximate measurements for comparison only.	

Included component:	
Cut-out template	1115039-7
Overflow cap for K-2952	K-4062-CP

Installation Notes

Install this product according to the installation guide.

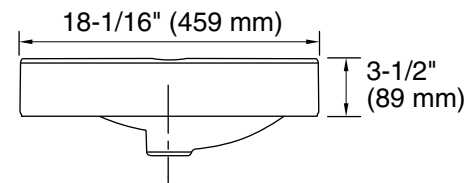
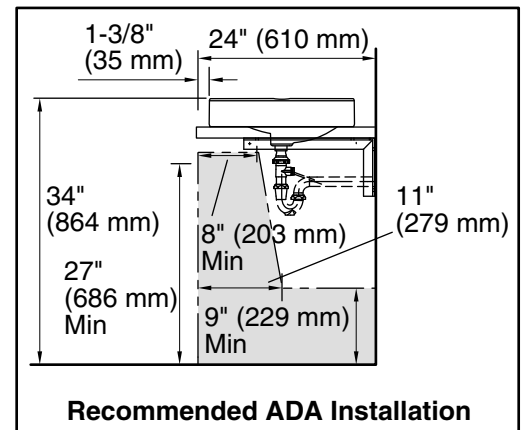
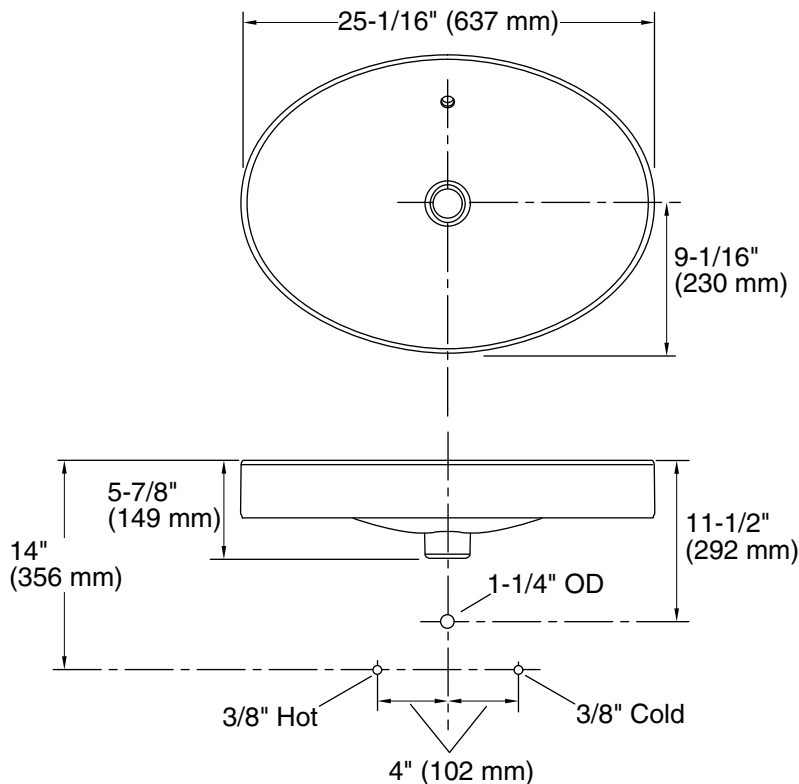
To install this product on the K-2392 vanity, refer to installation instructions for the vanity.

IMPORTANT! Product rests on a countertop. Consider height of product when designing installation.

Choose a faucet that will provide adequate clearance and will direct the water stream to the center of the bathroom sink.

When installing a pop-up drain to this bathroom sink, it may be necessary to bend the drain linkage to allow proper reach to the faucet lift rod.

NOTICE: The countertop manufacturer or cutter **must** use the cut-out template provided with the product, or a current one provided by the Kohler Co. (Call 1-800-4KOHLER.) Kohler Co. is not responsible for cut-out errors when the incorrect cut-out template is used.



Product Diagram