

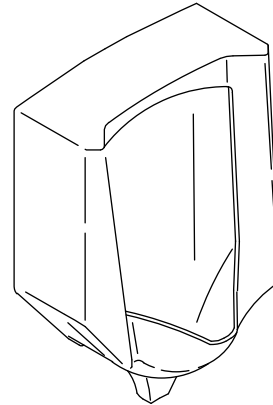
### Features

- Vitreous china
- Blow-out
- 1-1/4" rear spud
- Includes inlet and outlet spuds and hangers
- 1.0 gpf (3.8 lpf)

### Codes/Standards Applicable

Specified model meets or exceeds the following:

- ADA
- ICC/ANSI A117.1
- ASME A112.19.2/CSA B45.1



### Colors/Finishes

- 0: White
- Other: Refer to Price Book for additional colors/finishes

### Accessories

- 0: White
- CP: Polished Chrome
- Other: Refer to Price Book for additional colors/finishes

### Specified Model

Model	Description	Colors/Finishes	
K-4972-ER	1-1/4" rear spud urinal	<input type="checkbox"/> 0	<input type="checkbox"/> Other_____
<b>Recommended Accessories</b>			
K-10959	Touchless DC blowout urinal flushometer – 1.0 gpf (3.8 lpf)	<input type="checkbox"/> CP	
K-13522	Manual blowout urinal flushometer – 1.0 gpf (3.8 lpf)	<input type="checkbox"/> CP	
<b>Optional Accessories</b>			
18763	1-1/4" replacement spud	<input type="checkbox"/> 0	<input type="checkbox"/> Other_____

### Product Specification

The blow-out urinal shall be made of vitreous china with a 1-1/4" rear spud. Urinal includes inlet and outlet spuds and hangers. Urinal shall use 1.0 gpf (3.8 lpf). Urinal shall be Kohler Model K-4972-ER-\_\_\_\_\_.

# STANWELL™

## Technical Information

Fixture:	
Configuration	Rear spud
Water per flush	1.0 gal (3.8 L)*
Spud inlet size	1-1/4"
Minimum running pressure required	25 psi (172.4 kPa)
* Designed to flush with 1.0 gal (3.8 L) of water when installed with a water-saving flushometer.	

Included components:	
2" outlet spud	10000
1-1/4" inlet spud	18759
Hanger (2 required)	64512
5/8" drain plug	64512

## Installation Notes

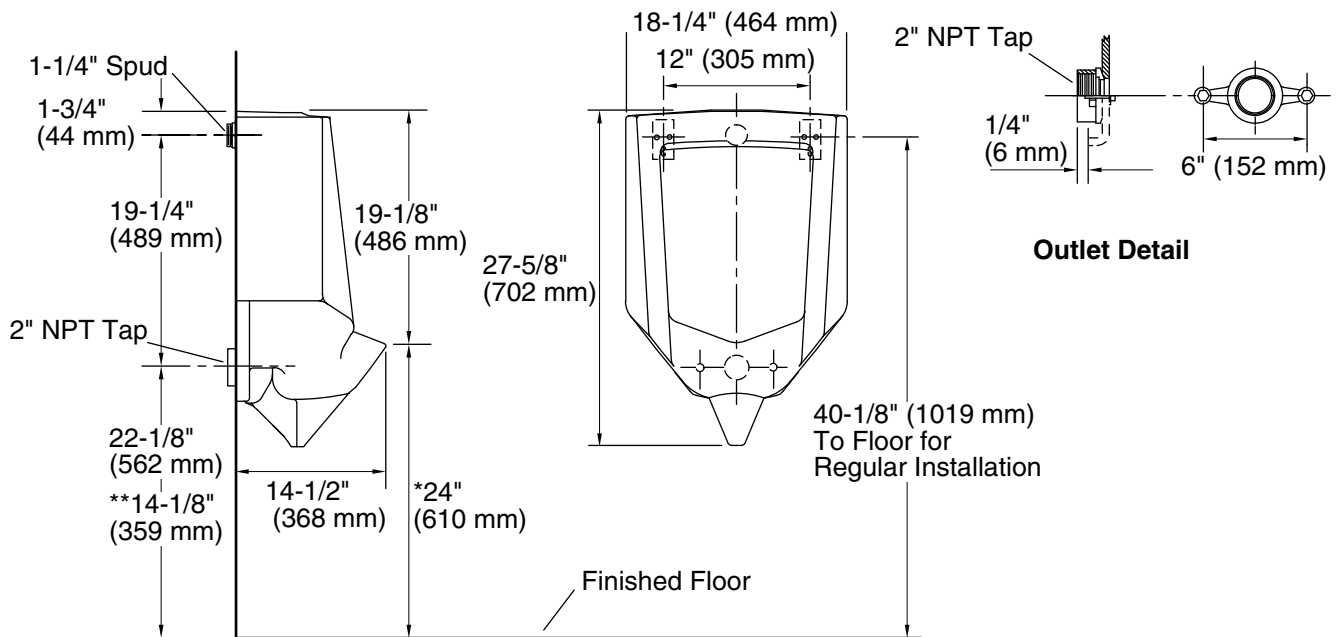
Install this product according to the installation guide.

Refer to manufacturer's instructions and local codes for flushometer requirements.

Will comply with **ADA** when installed per Section 605 Urinals of the Act.

\*Urinal complies with ADA requirement when rim is mounted no higher than 17" (432 mm) from finished floor.

\*\*Maximum outlet height for ADA compliance.



**Product Diagram**