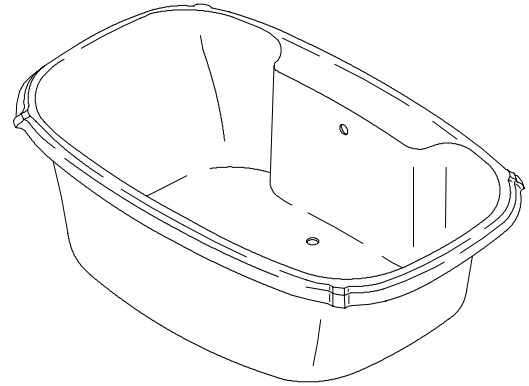


FEATURES

- 67" (170.2cm) x 42" (106.7cm) x 22" (55.9cm)
- Acrylic



CODES/STANDARDS APPLICABLE

Specified model meets or exceeds the following:

- ANSI Z124.1
- IAPMO/UPC
- CSA B45
- State of Massachusetts

COLORS/FINISHES

- 0 White
- Other Refer to Fixtures Price Book for additional colors

Accessories:

- CP Polished Chrome
- PB Polished Brass
- Other Refer to Faucets Price Book for additional finishes

SPECIFIED MODEL:

Model	Description	Colors/Finishes	
K-1454	5.5' Bath	<input type="checkbox"/> 0 White	<input type="checkbox"/> Other _____

Recommended Accessories				
K-7161-AF	Drain	<input type="checkbox"/> CP	<input type="checkbox"/> PB	<input type="checkbox"/> Other _____
K-T16122	Revival™ faucet trim OR	<input type="checkbox"/> CP	<input type="checkbox"/> PB	<input type="checkbox"/> Other _____
K-15880-K	Coralais™ base faucet (requires handle kit) OR	<input type="checkbox"/> CP	<input type="checkbox"/> PB	<input type="checkbox"/> Other _____
K-15881-K	Coralais™ base faucet (requires handle kit)	<input type="checkbox"/> CP	<input type="checkbox"/> PB	<input type="checkbox"/> Other _____

PRODUCT SPECIFICATION:

The bath shall be 67" (170.2cm) in length, 42" (106.7cm) in width, and 22" (55.9cm) in height. Bath shall be made of acrylic. Bath shall be Kohler Model K-1454-_____.

PORTRAIT™

PRODUCT INFORMATION

Fixture*:	basin area	top area	weight
Bathing well	50" (127cm) x 29" (73.7cm)	61" (154cm) x 32" (81.3cm)	80 lbs. (36.3kg)
	water depth	capacity	
To overflow	16" (40.6cm)	98 gal. (370.9L)	
* Approximate measurements for comparison only.			
Included Components:			
Cut template	113311-7		

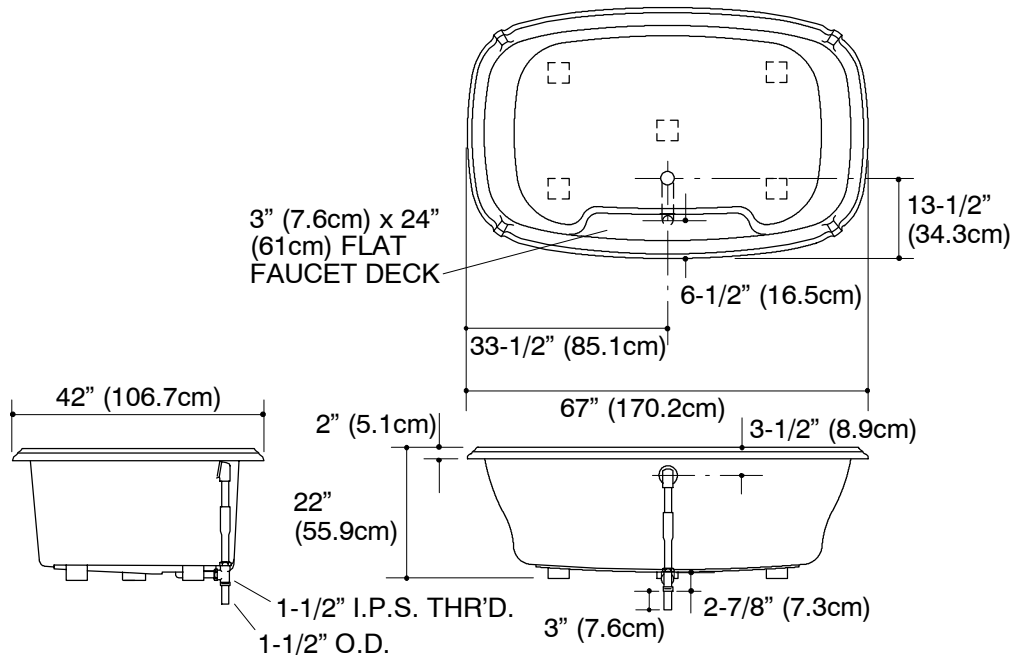
INSTALLATION NOTES

Install this product according to the installation guide.

If installing a rim-mount faucet, make sure there is no interference with drain overflow and circulating system before drilling any holes. Consult local and national codes for minimum air gap requirements if installing a spout on the faucet deck.

NOTICE: Unless otherwise specified, floor support under bath must provide for a minimum of 80 lbs./square foot (390 Kg./square meter) loading.

No change in measurements if connected with drain illustrated.



PRODUCT DIAGRAM