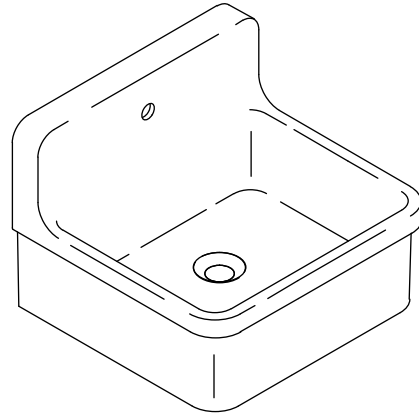


### Features

- Single bowl
- Vitreous china
- Single-center hole (K-12781) or 8" (203 mm) centers (K-12787)
- 30" (762 mm) x 22" (559 mm) x 8-5/8" (219 mm)

### SCRUB-UP/PLASTER SINK K-12781 ALSO K-12787



### Codes/Standards Applicable

Specified model meets or exceeds the following:

- ASME A112.19.2/CSA B45.1

### Colors/Finishes

- 0: White

### Accessories

- CP: Polished Chrome
- NA: None applicable

### Specified Model

Model	Description	Colors/Finishes
K-12781	Single-center hole sink	<input type="checkbox"/> 0
K-12787	8" (203 mm) centers sink	<input type="checkbox"/> 0
<b>Recommended Accessories</b>		
K-1814-P	Wall brackets	<input type="checkbox"/> NA
<b>Optional Accessories</b>		
K-9000	P-trap	<input type="checkbox"/> CP
K-9115	Sink strainer with 1-1/2" (38 mm) tailpiece	<input type="checkbox"/> CP

### Product Specification

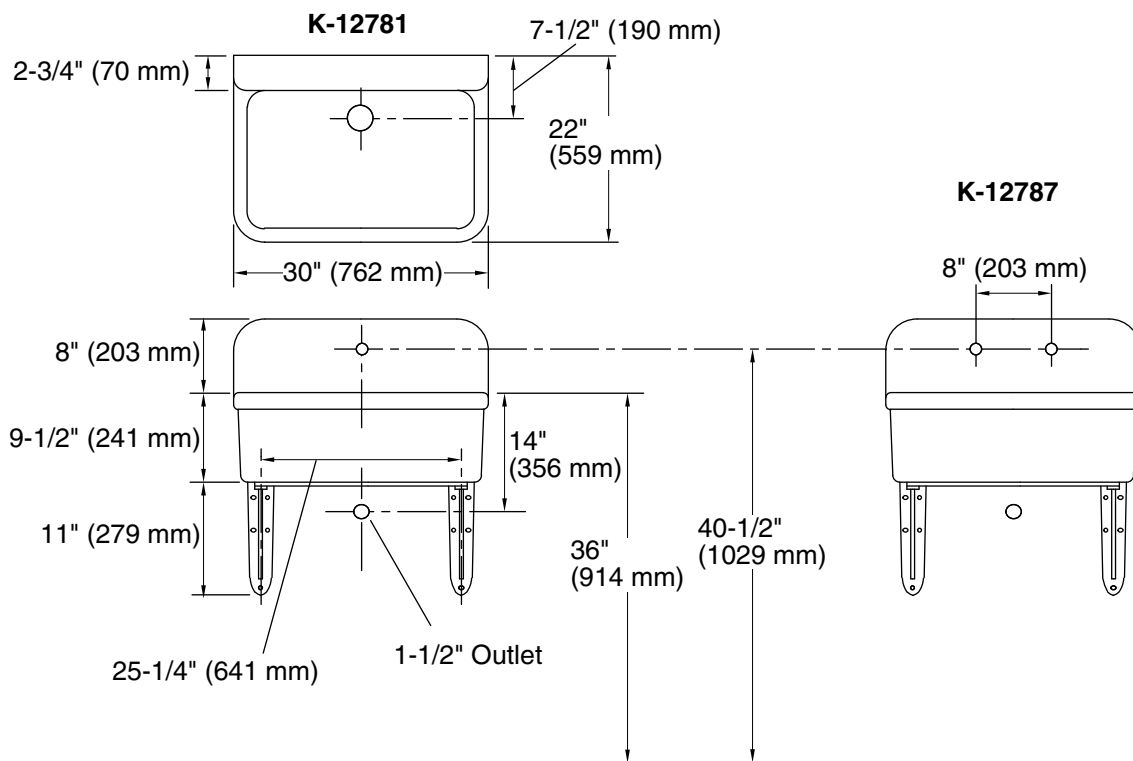
The scrub-up/plaster sink shall be 30" (762 mm) in length, 22" (559 mm) in width, and 8-5/8" (219 mm) in depth. The sink shall be made of vitreous china. The sink shall be single compartment. The sink shall be single-center hole (K-12781) or 8" (203 mm) centers (K-12787). The sink shall be Kohler Model K-\_\_\_\_\_.

## Technical Information

Fixture*:	
Sink	
Bowl area	28" (711 mm) x 18" (457 mm)
Water depth	8-5/8" (219 mm)
Outlet	Ø 2-1/4" (57 mm)
Faucet hole	Ø 1-3/8" (35 mm)
* Approximate measurements for comparison only.	

## Installation Notes

Install this product according to the installation guide.



**Product Diagram**