

**BATHROOM SINK BASE FAUCET
K-7304
ALSO K-7317**

ADA **CSA B651** **OBC**

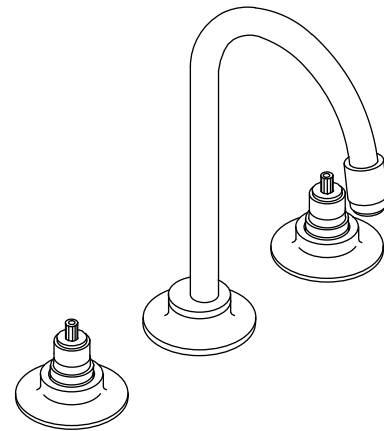
Features

- Brass construction
- Brass valve bodies
- Quarter-turn washerless ceramic disc valves
- Less drain and lift rod
- Available with standard or vandal-resistant aerator
- Flexible connections for easy installation
- Variety of handle style options
- 5-1/4" (133 mm) gooseneck spout
- 0.5 gallons (1.9 L) per minute flow rate

Codes/Standards Applicable

Specified model meets or exceeds the following:

- ADA
- ICC/ANSI A117.1
- CSA B651
- OBC
- ASME A112.18.1/CSA B125.1
- NSF 61
- All applicable US Federal and State material regulations



Colors/Finishes

- CP: Polished Chrome

Accessories

- CP: Polished Chrome





Specified Model

Model	Description	Colors/Finishes
K-7304-K	Bathroom sink base faucet without handles	<input type="checkbox"/> CP
K-7304-KE	Bathroom sink base faucet with vandal-resistant aerator but without handles	<input type="checkbox"/> CP
K-7304-5A	Bathroom sink faucet with wristblade lever handles	<input type="checkbox"/> CP
K-7317-K	Bathroom sink base swivel faucet without handles	<input type="checkbox"/> CP

Product Specification

Two-handle widespread bathroom sink base faucet shall be of brass construction. Faucet shall feature brass valve bodies. Faucet shall feature quarter-turn washerless ceramic disc valves. Product shall be less drain and lift rod. Faucet shall be rated at 0.5 gallons (1.9 L) per minute flow rate. Product shall include flexible connections for easy installation and 5-1/4" (133 mm) gooseneck spout. Product shall be available with standard or vandal-resistant aerator. Product shall have a variety of handle style options available. Faucet shall be Kohler Model K-7304-____-CP or K-7317-K-CP and handles shall be Kohler Model K-16012-____-CP.

TRITON®

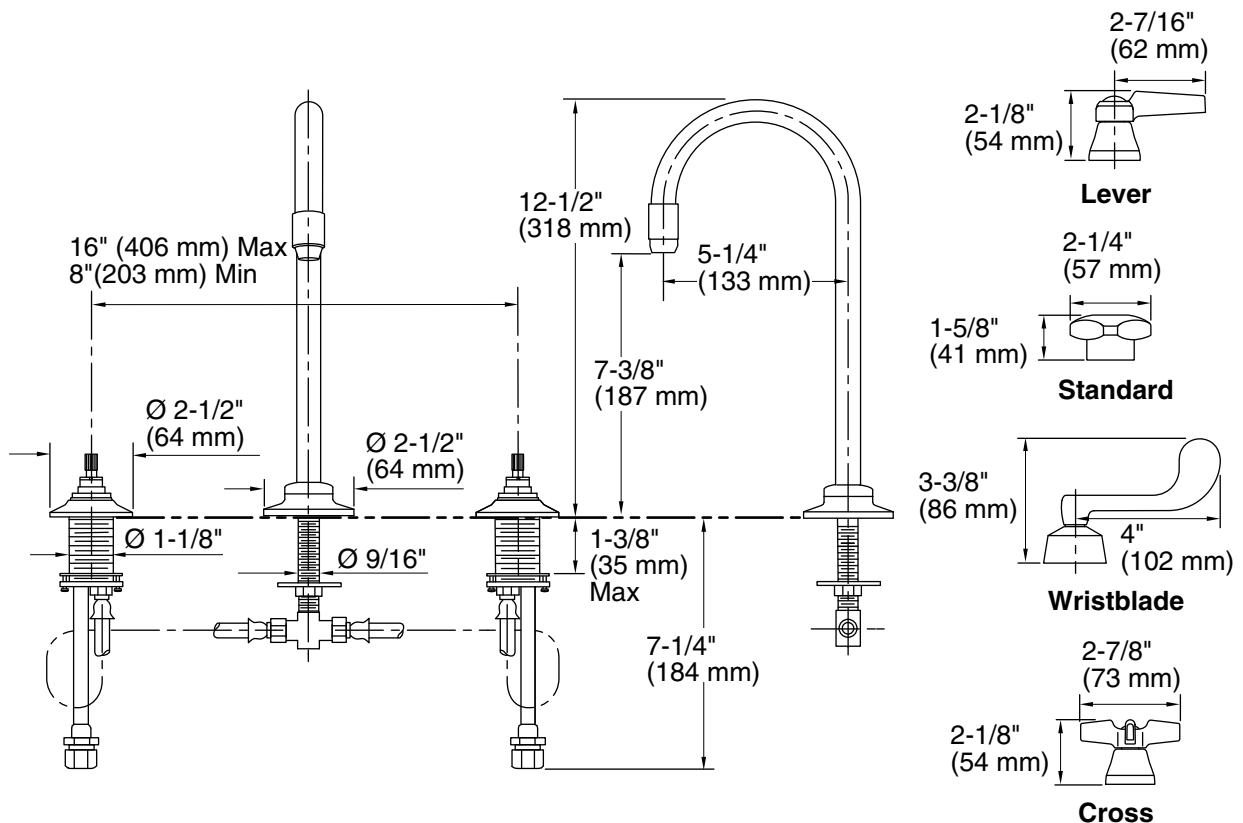
Required Accessories (Includes Two Handles)			 ADA	 ADA	 ADA CSA B651 OBC
K-16012-2	Standard handles OR	<input type="checkbox"/> CP			
K-16012-3	Cross handles OR		<input type="checkbox"/> CP		
K-16012-4	Lever handles OR			<input type="checkbox"/> CP	
K-16012-5	Wristblade lever handles				<input type="checkbox"/> CP

Optional Accessories		
1160595	Medium Spray 0.35 gpm (1.32 lpm) – Insert only	<input type="checkbox"/> NA
_____	Additional flow options are available (refer to the Price Book)	<input type="checkbox"/> NA

Installation Notes

Install this product according to the installation guide.

ADA, ICC/ANSI A117.1, CSA B651, OBC compliant when installed to the specific requirements of these regulations.



Product Diagram